

## Suoritustasoilmoitus nro: DOP\_IL\_ETA-17-0773\_v3\_FI

### 1. Tuotetyypin yksilöllinen tunnistus:

Schöck Isolink® C monikerroksisiin betonielementteihin

### 2. Käyttötarkoitus:

Lasikuituvahvisteisesta muovista Kunssto (GFK) valmistetut liitososat käytettäväksi betonista valmistetuissa sandwich- ja elementtiseinissä

### 3. Valmistaja:

Schöck Bauteile GmbH, Schöckstraße 1, 76534 Baden-Baden

### 4. Suoritustason pysyvyyden arviointi- ja varmennusjärjestelmä(t)

Järjestelmä 2+

### 5. Tekninen arviointi:

Eurooppalainen arviointiasiakirja / yhtenäistetty standardi / kansallinen standardi:

EAD 330387-00-0601, painos 02/2023

Eurooppalainen tekninen arviointi / hyväksyntä:

ETA-17/0773, laadittu 27.10.2023

Teknisestä arvioinnista vastaava laitos / tarkastuslaitos:

Deutsches Institut für Bautechnik (DIBt), Kolonnenstr. 30B, 10829 Berlin

Ilmoitettu laitos / ulkopuolinen valvontaelin:

IFBT GmbH – Institut für Fassaden- und Befestigungstechnik, Leipzig

NB 1109

### 6. Ilmoitettu suoritustaso(t):

Perusominaisuudet	Suorituskyky
Lasikuituvahvisteisen muovin murtumiskestävyys puristuksen alaisena	Katso liite C1
Betonin murtumiskestävyys puristuksen alaisena	Katso liite C1
Lasikuituvahvisteisen muovin murtumiskestävyys vedon alaisena	Katso liite C1
Betonin murtumiskestävyys vedon alaisena	Katso liite C1
Lasikuituvahvisteisen muovin murtumiskestävyys leikkauskuorman alaisena	Katso liite C1
Betonin murtumiskestävyys leikkauskuorman alaisena	Katso liite C1
Suurin sallittu vääntymä poikittaissuunnassa	Katso liite C1
Reuna- ja akselietäisyyksien vähimmäismitat	Katso liite B2
E-moduuli	Katso liite B2
Geometriset ominaisarvot	Katso liite B2

### 7. Asiaankuuluvat tekniset asiakirjat ja/tai tekniset erityisasiakirjat:

Monikerroksisiin betonielementteihin tarkoitetun Schöck Isolink® C -tuotteen eurooppalaisen teknisen arvioinnin asiakirja on tallennettu DIBt-instituuttiin.

Edellä mainitun tuotteen suorituskyky vastaa ilmoitettua suoritustasoa / ilmoitettuja suoritustasoja. Suoritustasoilmoituksen laatimisesta on asetuksen (EU) nro 305/2011 mukaisesti yllämainittu valmistaja yksin vastuussa. Valmistajan puolesta allekirjoittanut:

Baden-Baden, 15.11.2023

(Paikka, päiväys)



(Dr.-Ing. Niklas Puttendörfer, Head of R&D)

Approval body for construction products  
and types of construction

Bautechnisches Prüfamt

An institution established by the Federal and  
Laender Governments



## European Technical Assessment

**ETA-17/0773**  
**of 27 October 2023**

English translation prepared by DIBt - Original version in German language

### General Part

Technical Assessment Body issuing the  
European Technical Assessment:

Deutsches Institut für Bautechnik

Trade name of the construction product

Schöck Isolink type C for multi-layer concrete panels

Product family  
to which the construction product belongs

Glass fibre reinforced plastics connectors for use in  
sandwich and element walls made of concrete

Manufacturer

Schöck Bauteile GmbH  
Schöckstraße 1  
76534 Baden-Baden

Manufacturing plant

Schöck Werk  
Ringstraße 2  
06188 Landsberg

This European Technical Assessment  
contains

15 pages including 3 annexes which form an integral part  
of this assessment

This European Technical Assessment is  
issued in accordance with Regulation (EU)  
No 305/2011, on the basis of

330387-00-0601, Edition 02/2023

This version replaces

ETA-17/0773 issued on 21 December 2020

The European Technical Assessment is issued by the Technical Assessment Body in its official language. Translations of this European Technical Assessment in other languages shall fully correspond to the original issued document and shall be identified as such.

Communication of this European Technical Assessment, including transmission by electronic means, shall be in full. However, partial reproduction may only be made with the written consent of the issuing Technical Assessment Body. Any partial reproduction shall be identified as such.

This European Technical Assessment may be withdrawn by the issuing Technical Assessment Body, in particular pursuant to information by the Commission in accordance with Article 25(3) of Regulation (EU) No 305/2011.

## Specific Part

### 1 Technical description of the product

The Schöck Isolink type C with nominal diameter of 12 mm is an anchor which consists of a glass fibre reinforce plastic bar. The anchor has a profile in the shape of a trapezoidal thread with a profile depth of 0,60 to 0,75 mm and a pitch of 8 mm. The ends of the anchor are inclined.

The anchor is embedded on both sides in the concrete. It is orientated perpendicular to the wall. The product description is given in Annex A.

### 2 Specification of the intended use in accordance with the applicable European Assessment Document

The performances given in Section 3 are only valid if the GFRP connector is used in compliance with the specifications and conditions given in Annex B.

The verifications and assessment methods on which this European Technical Assessment is based lead to the assumption of a working life of the GFRP connector of at least 50 years. The indications given on the working life cannot be interpreted as a guarantee given by the producer, but are to be regarded only as a means for choosing the right products in relation to the expected economically reasonable working life of the works.

### 3 Performance of the product and references to the methods used for its assessment

#### 3.1 Mechanical resistance and stability (BWR 1)

Essential characteristic	Performance
Resistance to GFRP failure under compression load	See Annex C1
Resistance to concrete failure under compression load	See Annex C1
Resistance to GFRP failure under tension load	See Annex C1
Resistance to concrete failure (cracked and uncracked concrete) under tension load	See Annex C1
Resistance to GFRP failure under shear load	See Annex C1
Resistance to concrete failure under shear load	See Annex C1
Maximum acceptable shear deformation	See Annex C1
Minimum edge distances and spacing	See Annex B2
Modulus of Elasticity	See Annex B2
Geometric parameters	See Annex B2

English translation prepared by DIBt

**4 Assessment and verification of constancy of performance (AVCP) system applied, with reference to its legal base**

In accordance with EAD No. 330387-00-0601, the applicable European legal act is: [2000/273/EC].

The system to be applied is: 2+

**5 Technical details necessary for the implementation of the AVCP system, as provided for in the applicable EAD**

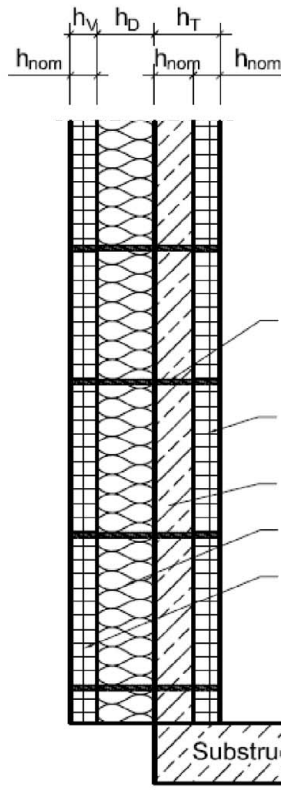
Technical details necessary for the implementation of the AVCP system are laid down in the control plan deposited with Deutsches Institut für Bautechnik.

Issued in Berlin on 27 October 2023 by Deutsches Institut für Bautechnik

Dipl.-Ing. Beatrix Wittstock  
Head of Section

*beglaubigt:*  
Müller

Element wall with  
Schöck Isolink® Type C



Sandwich wall with  
Schöck Isolink® Type C

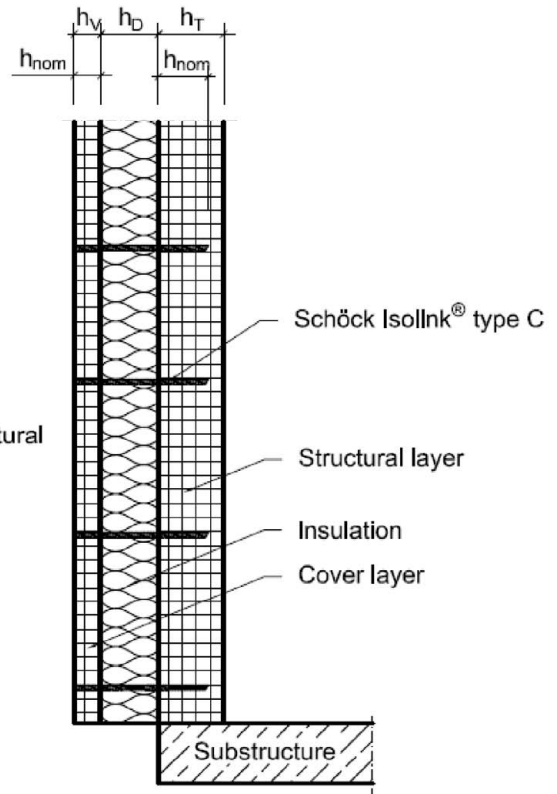
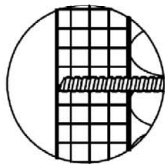


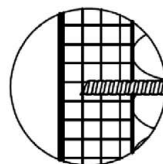
Fig. 1: Schöck Isolink® type C  
Wall with non-supported cover layer

Schöck Isolink® type C can be used in the version type C-SH as well as type C-EH

Detail Schöck Isolink® in cover layer



Isolink® Typ C-EH



Isolink® Typ C-SH

**Schöck Isolink® for multi-layer concrete panels**

**Product description**

Installed condition with Schöck Isolink® Type C-EH and Type C-SH

**Annex A1**

Element wall  
Schöck Isolink® Type C

Sandwich wall  
Schöck Isolink® Type C

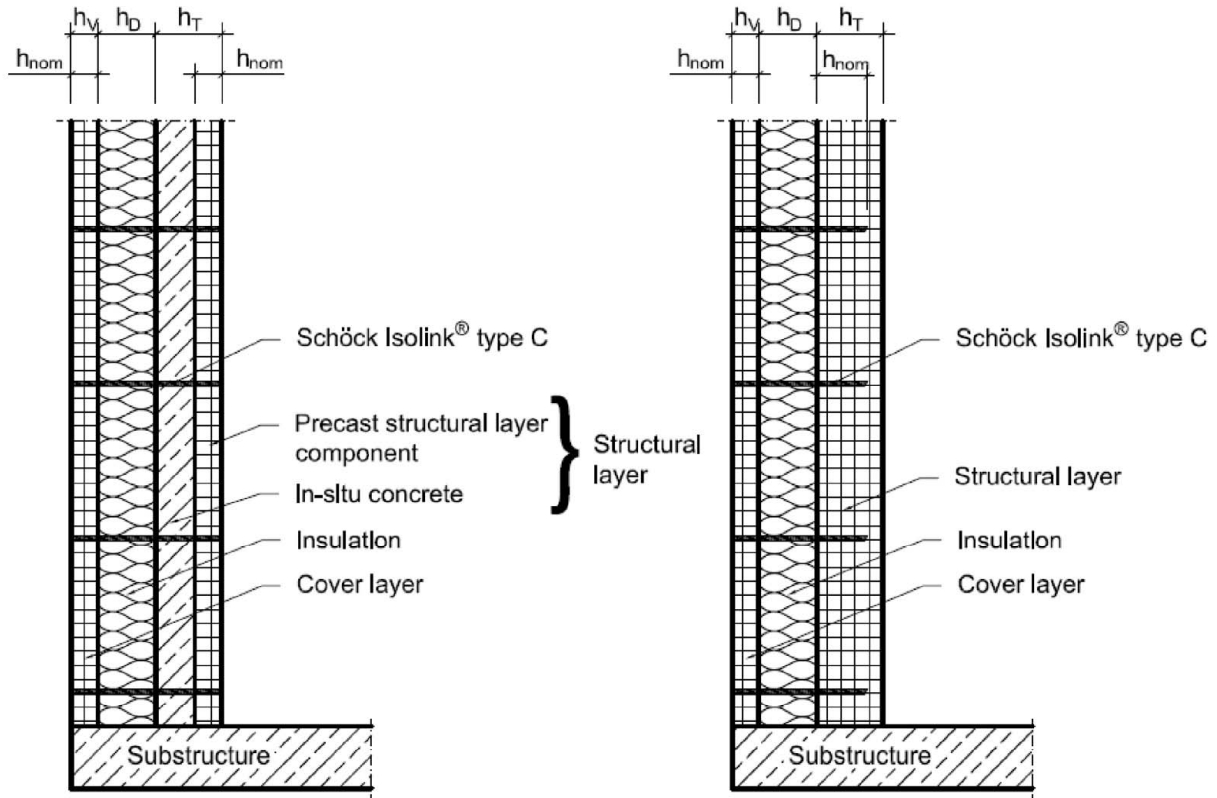
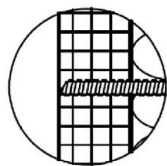


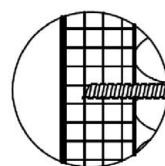
Fig. 2: Schöck Isolink® type C  
Wall with non-supported cover layer

The Schöck Isolink® type C can be used in the version type C-SH as well as type C-EH

Detail Schöck Isolink® in cover layer



Isolink® Typ C-EH



Isolink® Typ C-SH

**Schöck Isolink® for multi-layer concrete panels**

**Product description**

Installed condition with Schöck Isolink® Type C-EH and Type C-SH

**Annex A2**

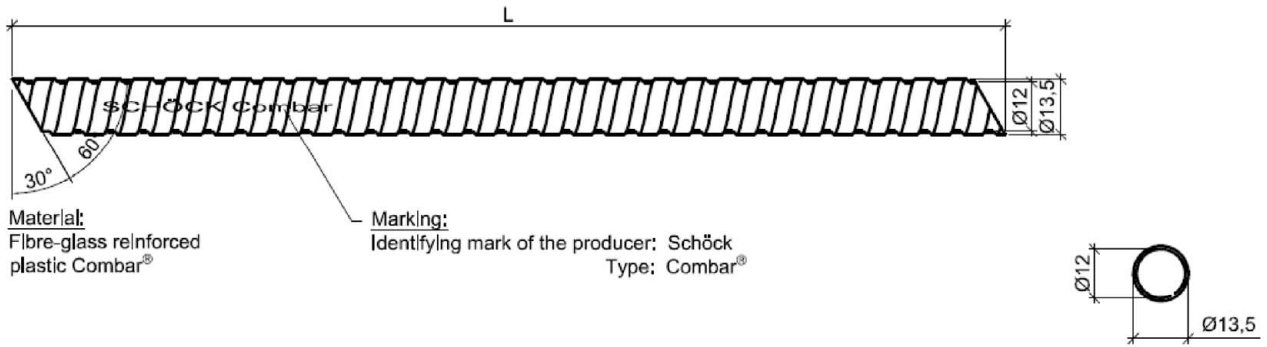


Fig. 3: Schöck Isolink® type C-EH

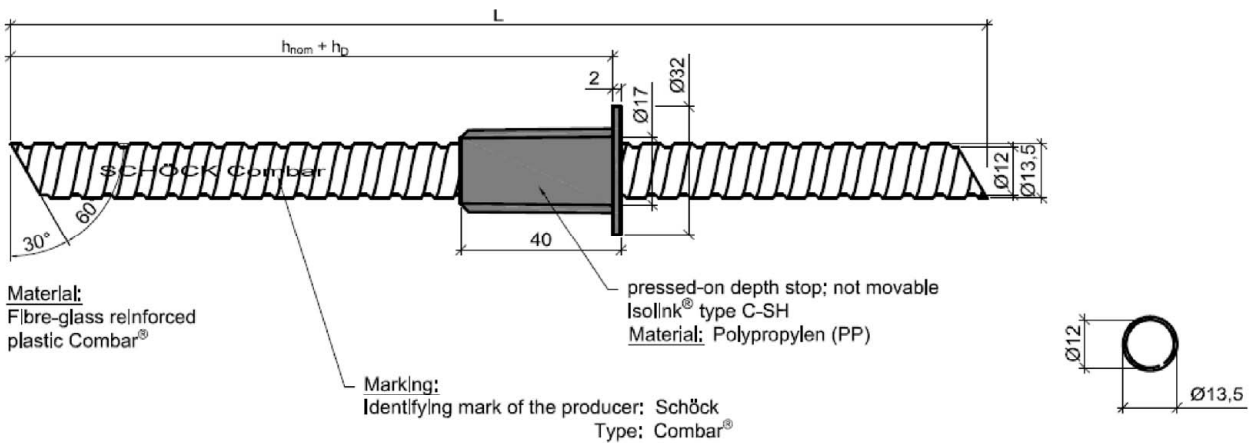


Fig. 4: Schöck Isolink® type C-SH

Schöck Isolink® for multi-layer concrete panels

Product description  
Material and dimensions

Annex A3



## Specifications for intended use

### B.1 Connectors subject to:

- Static and quasi-static tension, compression and shear.

#### B.1.1 Base materials

- Compacted reinforced normal-weight concrete without fibres according to EN 206:2013 + A2:2001.
- Strength classes C20/25 to C50/60 according to EN 206:2013 + A2:2021
- Cracked or uncracked concrete

#### B.1.2 Use conditions (Environmental conditions)

- The connector is intended to be used with a temperature on the surface of the concrete cover layer between +65 °C and -20 °C (maximum short-term temperature of +65 °C and maximum long-term temperature of 40°C).

#### B.1.3 Design

- Connectors are designed under the responsibility of an engineer experienced in anchorages and concrete work.
- Verifiable calculation notes and drawings are prepared taking account of the loads to be anchored. The positions of the connectors are indicated on the design drawings (e.g. position of the connector relative to the reinforcement or to supports).
- The connectors are intended to be used for design analogous to EN 1992-4:2018.
- The actual shear deformation is limited to the maximum acceptable shear deformation according Annex C1.

#### B.1.4 Installation requirements

- The installation of the connectors is carried out by appropriately qualified personnel under the supervision of the person responsible for the technical matters on site.
- Use of the connector as supplied by the manufacturer only – without manipulations or repositioning.
- Installation in accordance with the manufacturer's specifications given in Annex B4 to B7.

Schöck Isolink® for multi-layer concrete panels

Annex B1

Intended use  
Specifications

Table B.1: Installation parameters and layer thickness

Description	Abbreviation / Unit	Value	
Overall embedment depth of the anchor in concrete	$h_{nom}$ [mm]	$\geq 40$	
Minimum thickness of cover layer	$h_{v,min}$ [mm]	40	
Minimum thickness of insulation	$h_{D,min}$ [mm]	60	
Maximum thickness of insulation	$h_{D,max}$ [mm]	350 <sup>1)</sup>	
Minimum thickness of structural layer	Element wall	40 (PC)	140 (In-situ concrete and PC)
	Sandwich wall	70	

<sup>1)</sup> For shear  $h_{D,max} = 140\text{mm}$

Table B.2: Calculation values for connector Schöck Isolink®

Description	Abbreviation / Unit	Value
Nominal diameter	$d$ [mm]	12
Nominal cross section	$A$ [mm <sup>2</sup> ]	113
Area moment of inertia in y and z direction	$I_y, I_z$ [mm <sup>4</sup> ]	1161
Modulus of elasticity for tension / compression	$E_N$ [N/mm <sup>2</sup> ]	60000
Modulus of elasticity for bending	$E_M$ [N/mm <sup>2</sup> ]	60000

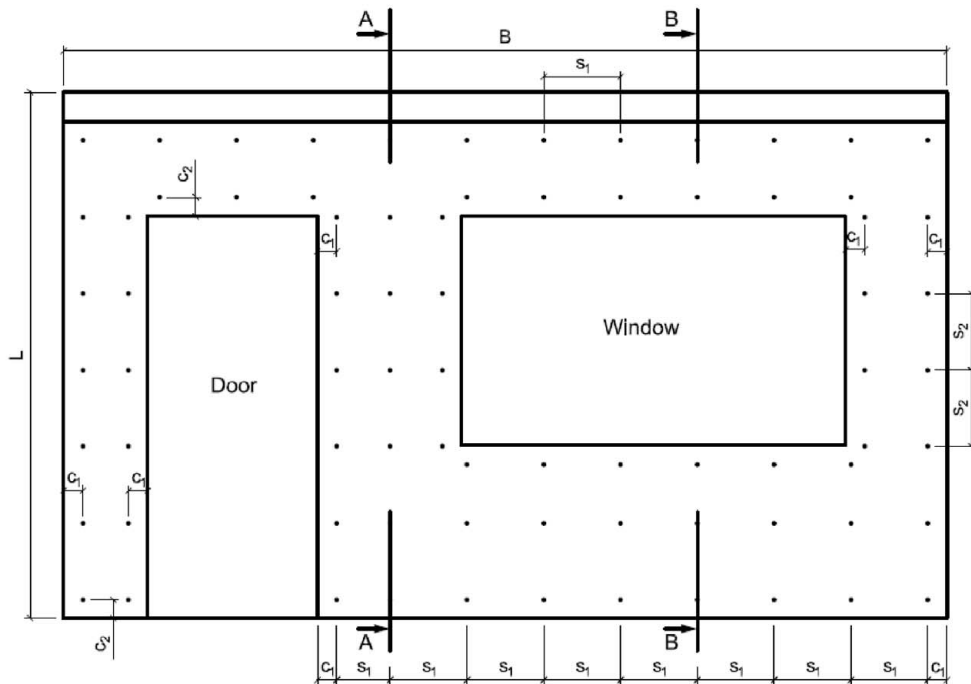
Table B.3: Minimum edge distances and spacing

Description	Abbreviation / Unit	Overall embedment depth of the anchor in concrete $h_{nom}$		
		40 mm	60 mm	100 mm
Minimum spacing ( $=3,0 h_{nom}$ )	$s_{min}$ [mm]	120	180	300
Minimum edge spacing ( $=1,5 h_{nom}$ )	$c_{min}$ [mm]	60	90	150

Schöck Isolink® for multi-layer concrete panels

Intended use  
Installation parameters

Annex B2



- Arrangement of Schöck Isolink® in a grid accordance with structural calculations.

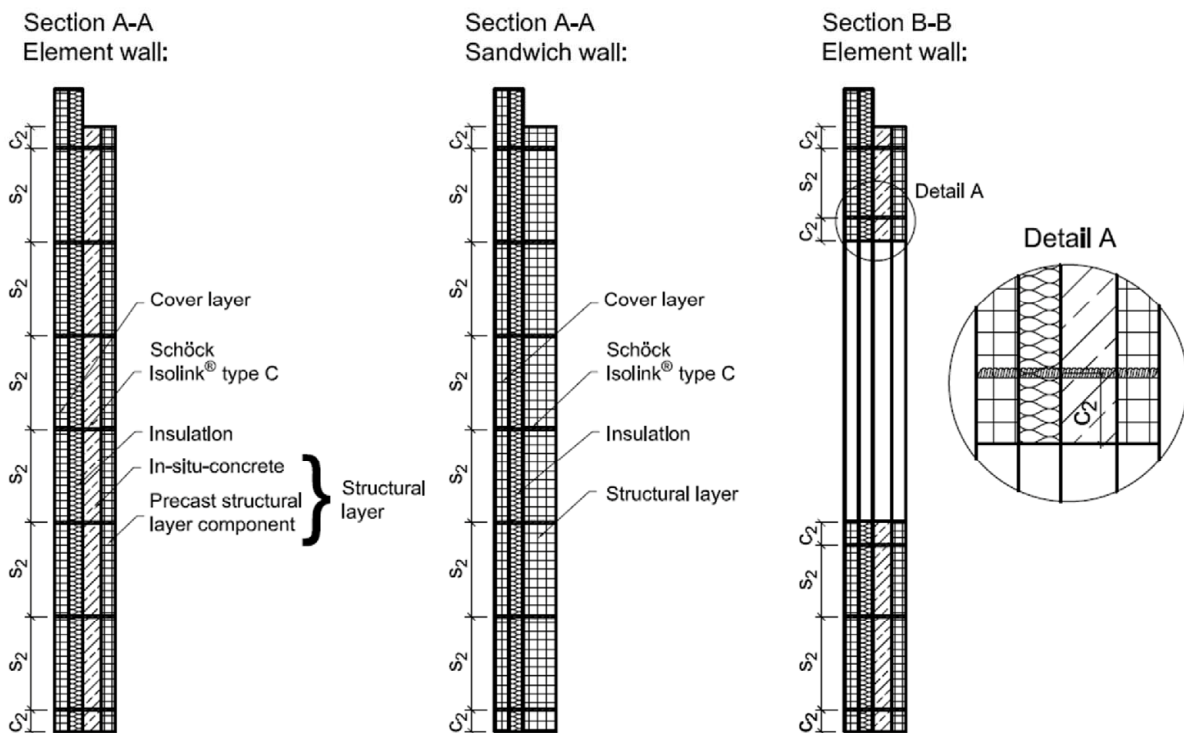


Fig. 5: Example of view of precast wall cover layer  
(Installation parameters and layer thickness in accordance with Annex B2)

**Schöck Isolink® for multi-layer concrete panels**

**Intended use**  
Example of wall with connectors

**Annex B3**

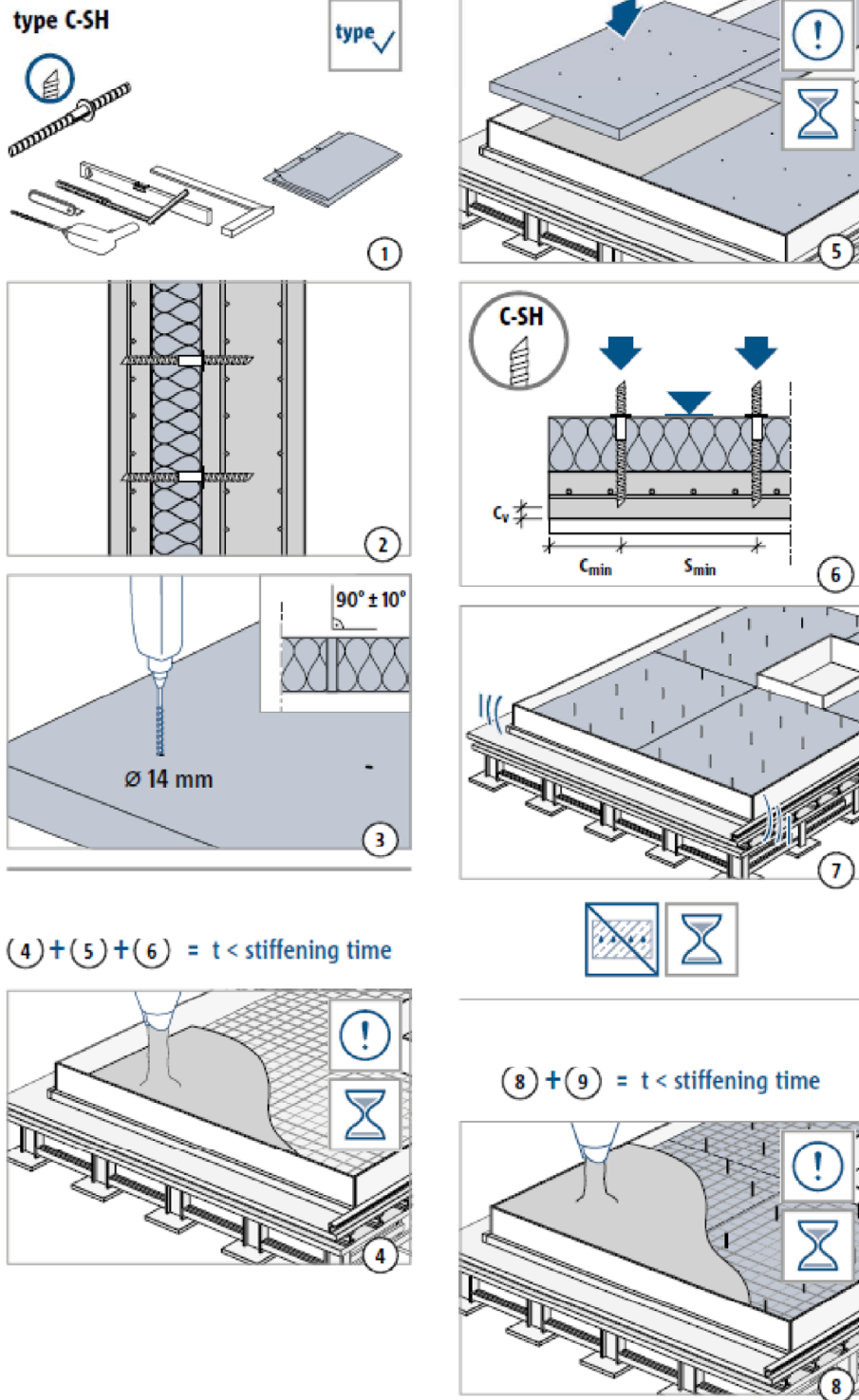


Fig. 6: Installation instruction - Schöck Isolink® for sandwich wall – page 1

Schöck Isolink® for multi-layer concrete panels

Intended use  
Installation instruction sandwich wall, type C-SH

Annex B4

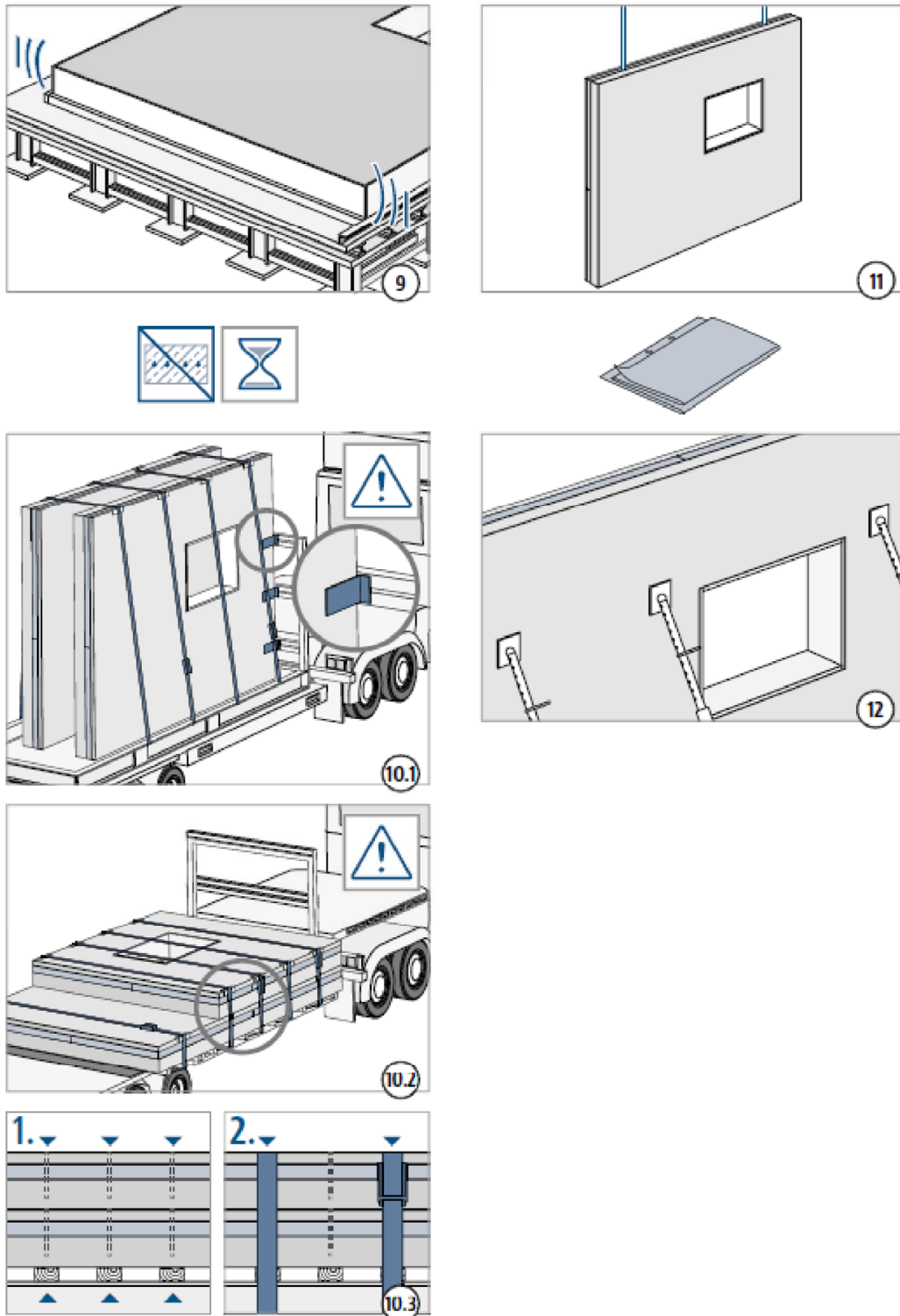


Fig. 7: Installation instruction - Schöck Isolink® for sandwich wall – page 2

Schöck Isolink® for multi-layer concrete panels

Intended use  
Installation instruction sandwich wall, type C-SH

Annex B5

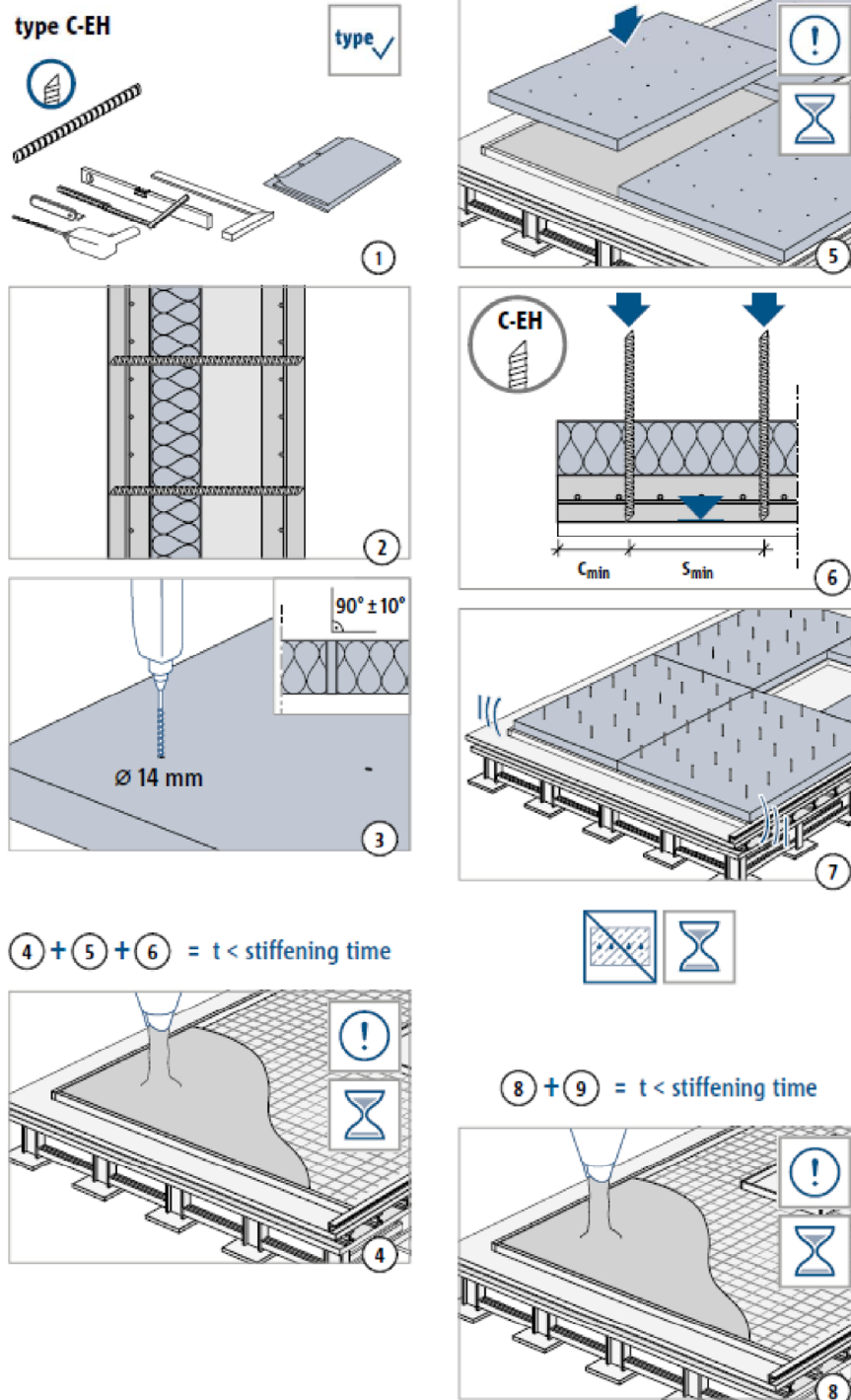


Fig. 8: Installation instruction - Schöck Isolink® for element wall – page 1

Schöck Isolink® for multi-layer concrete panels

Intended use  
Installation instruction element wall, type C-EH

Annex B6

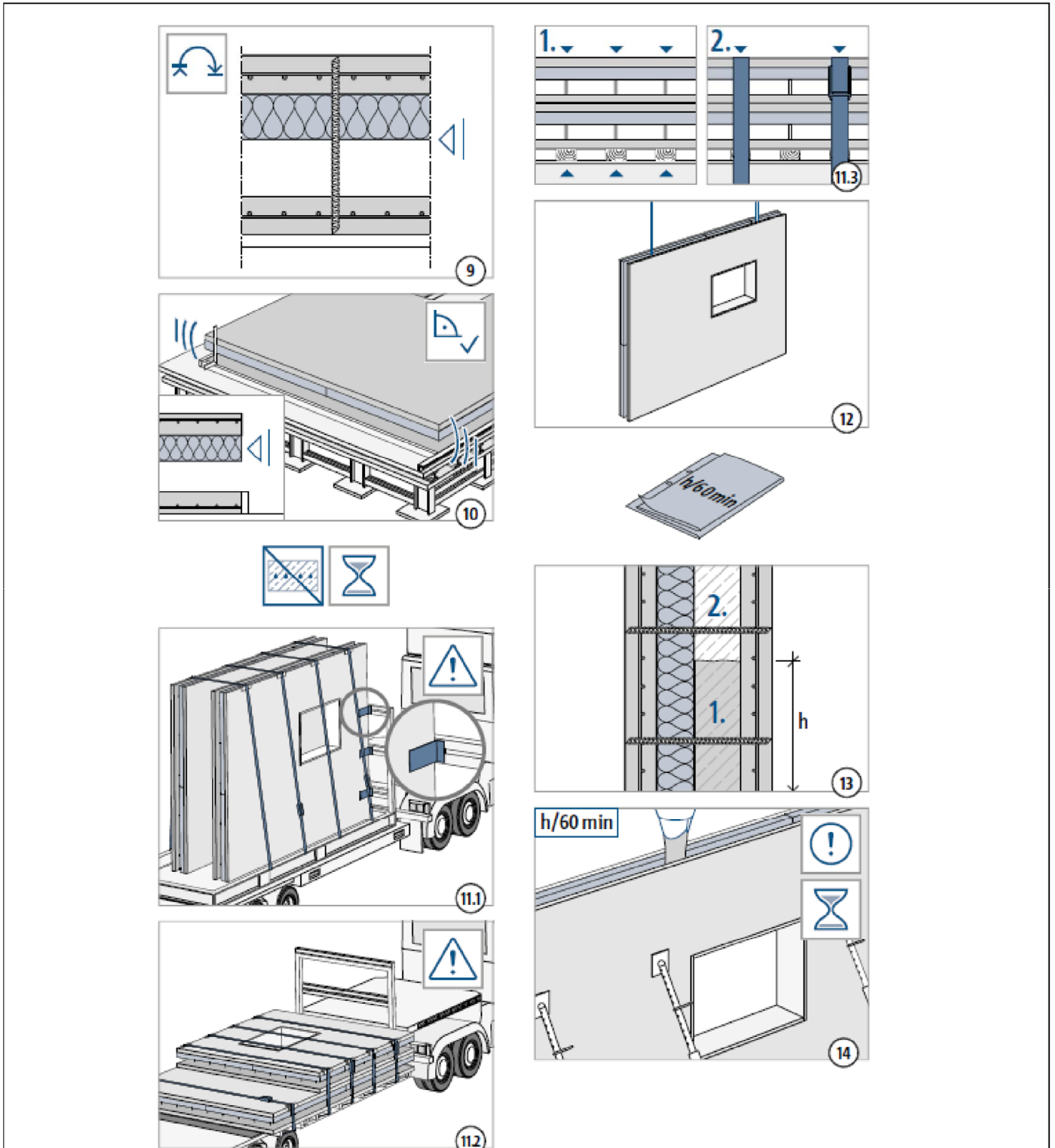


Fig. 9: Installation instruction - Schöck Isolink® for element wall – page 2

Schöck Isolink® for multi-layer concrete panels

Intended use  
Installation instruction element wall, type C-EH

Annex B7

Table C.4: Characteristic resistance under tension, compression or shear and acceptable shear deformation

Essential characteristic	Abbreviation	Strength class	Thickness of insulation $h_D$	Overall embedment depth of the anchor in concrete $h_{nom}$		
				40 mm	60 mm	100 mm
Resistance to GFRP failure under compression load	$N_{Rk,GFRP,D}$	C20/25 to C50/60	250 mm	31,5 kN		
			350 mm	17,2 kN		
Resistance to concrete failure under compression load	$N_{Rk,c,D}$	C20/25 to C50/60	60 mm to 350 mm	6,5 kN	20,4 kN	
Resistance to GFRP failure under tension load	$N_{Rk,GFRP}$	C20/25 to C50/60	60 mm to 350 mm	8,5 kN	14,9 kN	24,5 kN
Resistance to concrete failure under tension load (uncracked concrete)	$N_{Rk,c,ucr}$	C20/25	60 mm to 350 mm	6,6 kN	11,2 kN	25,5 kN
		C50/60		9,9 kN	19,0 kN	42,4 kN
Resistance to concrete failure under tension load (cracked concrete)	$N_{Rk,c,cr}$	C20/25	60 mm to 350 mm	3,2 kN	6,1 kN	16,5 kN
		C50/60		4,6 kN	13,3 kN	20,7 kN
Resistance to GFRP failure under shear load	$V_{Rk,GFRP}$	C20/25 to C50/60	60 mm	2,5 kN		
			140 mm	1,5 kN		
Resistance to concrete failure under shear load (cracked concrete)	$V_{Rk,c}$	C20/25 to C50/60	60 mm to 350 mm	3,4 kN		
Maximum acceptable shear deformation	$w_{max}$	C20/25 to C50/60	60 mm	2,0 mm		
			100 mm	5,0 mm		

Schöck Isolink® for multi-layer concrete panels

Performance  
Characteristic resistances and acceptable shear deformation

Annex C1