

DESIGN TABLES – JANUARY 2021

Isolink®

**For insulated precast concrete
walls**

i Notes

- The design tables serve the design of core insulated concrete walls using Schöck Isolink®.
- Sources of the design table are the Schöck Thermoanker Approval Z-21.8-1894 and the Schöck Combar® Approval Z-1.6-238.
- For submission to the inspecting structural engineer use the design software or contact the engineers of the Schöck Application Engineering Dept.

i Software


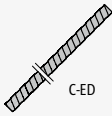
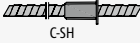
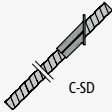
- The design software Schöck Isolink® for insulated precast concrete walls serves the rapid design of the Schöck Isolink® in core insulated reinforced concrete walls. This design can be used as verifiable structural analysis.
- The design software can be obtained under www.schoeck.de/download.

Contents

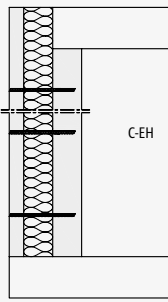
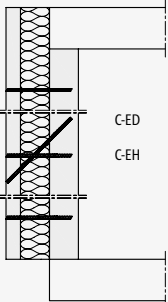
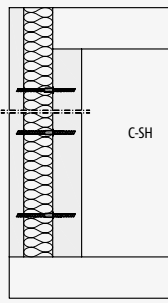
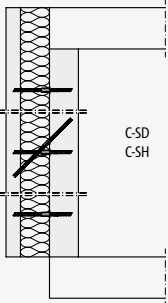
Overview	3
Type overview	3
Application overview	3
Core insulated concrete walls	4
Basic principles	4
Edge and centre to centre distance	4
Element configuration	6
Structural component geometry	8
Load cases	10
Required verifications	12
Design	13
Design tables	13
Design examples	19
Building physics characteristics values	22
U-values with walls using Schöck Isolink® for insulated precast concrete walls	22

Overview

Type overview

Schöck Isolink® type		Schöck Isolink® type	
	Cover layer Supported Freely-suspended		Cover layer Freely-suspended
	Cover layer Supported Freely-suspended		Cover layer Freely-suspended

Application overview

Supported cover layer		Freely-suspended cover layer	
	Wall type Sandwich wall Element wall Schöck Isolink® Type C-EH		Wall type Sandwich wall Element wall Schöck Isolink® Type C-EH Type C-ED
	In facing concrete with special requirements Wall type Sandwich wall Element wall Schöck Isolink® Type C-SH		In facing concrete with special requirements Wall type Sandwich wall Element wall Schöck Isolink® Type C-SH Type C-SD

Basic principles

Core insulated concrete walls

Core insulated concrete walls are produced as sandwich or element walls.

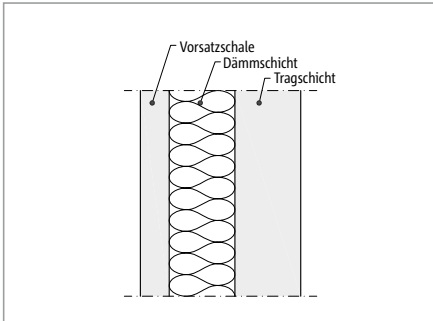


Fig. 1: Section through a sandwich wall

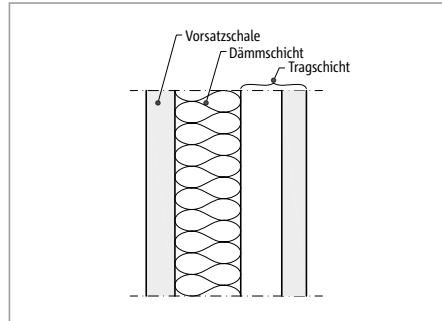


Fig. 2: Section through an element wall; structural layer with in-situ concrete infill

Centre to centre distance

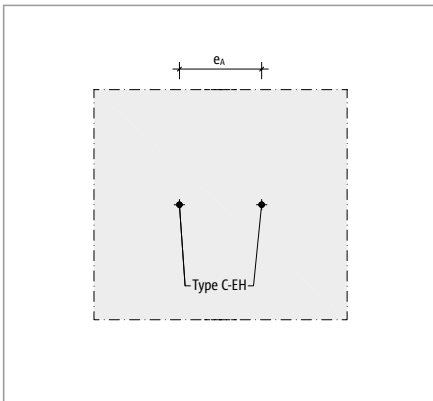


Fig. 3: Schöck Isolink® type C-EH: Centre to centre distance

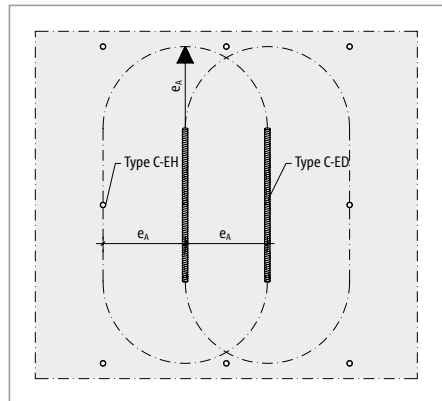


Fig. 4: Schöck Isolink® type C-EH, C-ED: Centre to centre distance

Schöck Isolink® type	C-EH, C-SH, C-ED, C-SD
Minimum centre to centre distance	e_A [mm]
	200

Basic principles

Edge distance

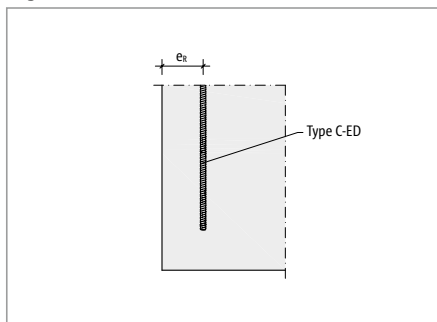


Fig. 5: Schöck Isolink® type C-ED: Edge distance e_R in the wall elevation

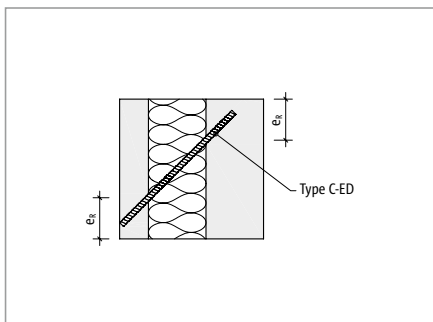


Fig. 6: Schöck Isolink® type C-ED: Edge distances e_R in the wall cross-section

Schöck Isolink® type	C-ED, C-SD
Minimum edge distance	e_R [mm]
	100

Schöck Isolink® type	C-EH, C-SH
Load cases 1+2 and load case 4	Concrete strength class \geq C20/25
Edge distance e_R [mm]	Centric compressive force $N_{Rd,x}$ [kN/element]
$50 \leq e_R < 100$	6,7
$e_R \geq 100$	No reduction required, see design tables for Schöck Isolink® calculation

Schöck Isolink® type	C-EH, C-SH				
Load case 1 to Load case 3	Concrete strength class \geq C20/25				
	Bond length of the Isolink® in the concrete h_{nom} [mm]				
	60	70	80	90	100
Edge distance e_R [mm]	Centric tension force $N_{Rd,x}$ [kN/element]				
$50 \leq e_R < 100$	3,8	4,0	4,2	4,3	4,5
$e_R \geq 100$	No reduction required, see design tables for Schöck Isolink® calculation				

i Edge distance

- The minimum edge distances also apply to openings such as doors or windows.
- Element wall: The employment of prefabricated stirrup cages as starter bars requires a careful planning of the edge distance of the Schöck Isolink®.
- Type C-EH, C-SH: Edge distance $e_R < 50$ mm is not permitted!

Basic principles

Element configuration Schöck Isolink® type C-EH, C-SH

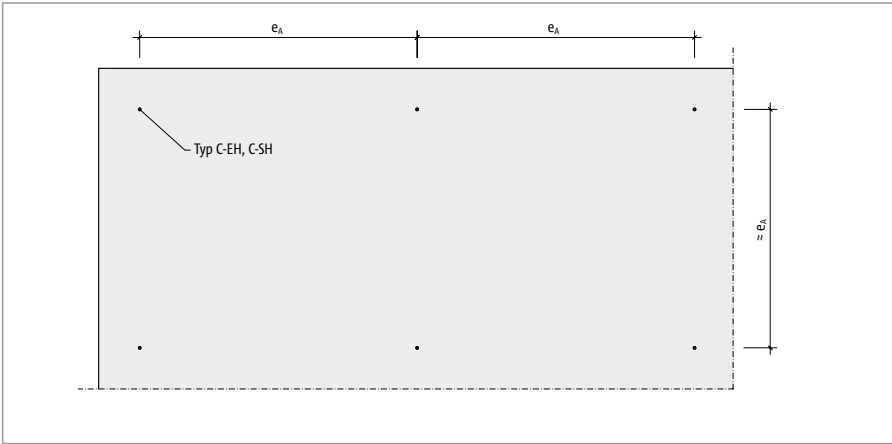


Fig. 7: Schöck Isolink®: Detail of the cover layer; type C-EH, C-SH is configured in a square grid

i Element configuration Schöck Isolink® type C-EH, C-SH

- The Schöck Isolink® type C-EH, C-SH are to be configured preferably in a square grid.

Element configuration Schöck Isolink® type C-ED, C-SD

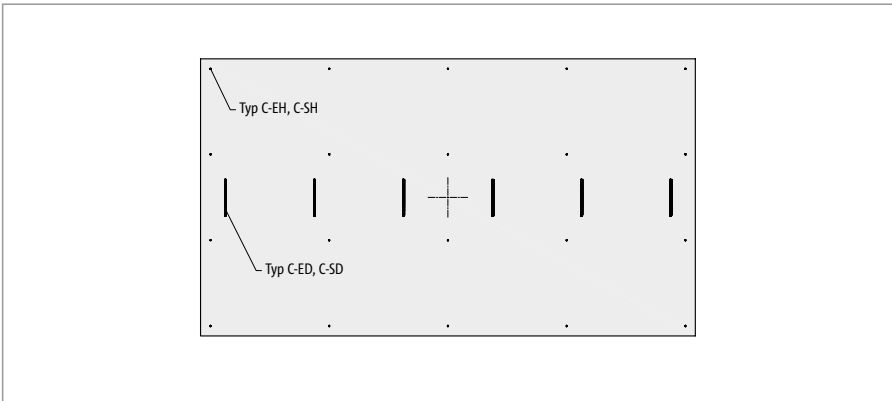


Fig. 8: Schöck Isolink®: Freely-suspended cover layer; type C-ED, C-SD is configured on the horizontal centre line of the cover layer

Basic principles

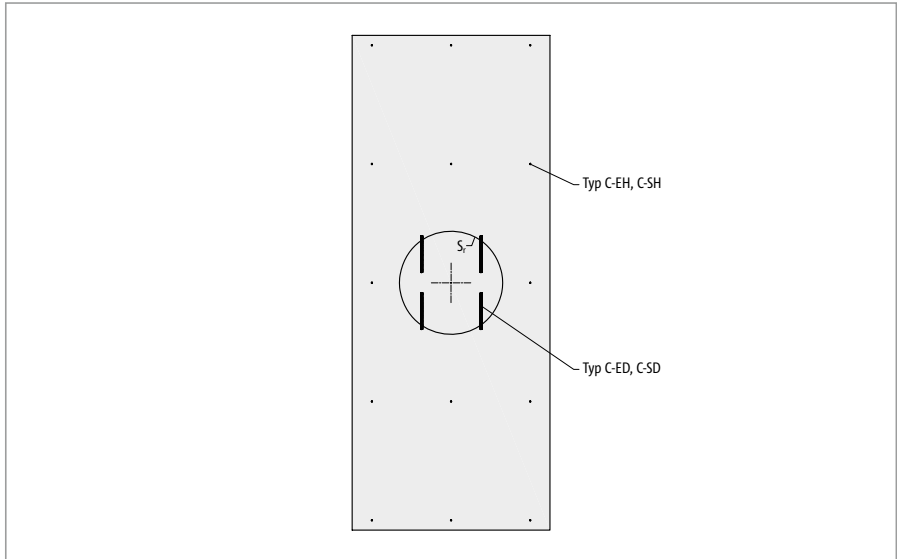


Fig. 9: Schöck Isolink®: Freely-suspended cover layer; type C-ED, C-SD is configured within a circle around the deformation fix point of the cover layer

Schöck Isolink® type	C-ED, C-SD		
Thickness of the thermal insulation layer h_b [mm]	< 80	80–100	> 100
Radius S_r [mm]	300	550	900

i Element alignment Schöck Isolink® type C-ED, C-SD

- Isolink® type C-ED, C-SD with two options of element configuration:
Configure type C-ED, C-SD side by side on the horizontal centre line of the cover layer or type C-ED, C-SD within a circle with radius S_r about the deformation fixed point

Basic principles

Structural component geometry sandwich wall

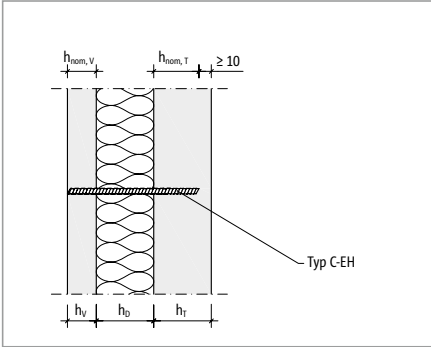


Fig. 10: Schöck Isolink® type C-EH: Cross-section details for the sandwich wall; $h_{nom,V} = h_v$

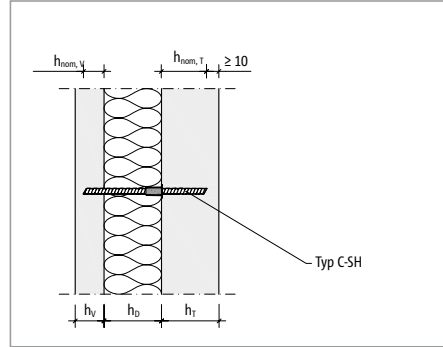


Fig. 11: Schöck Isolink® type C-SH: Cross-section details for the sandwich wall; $h_{nom,V} < h_v$

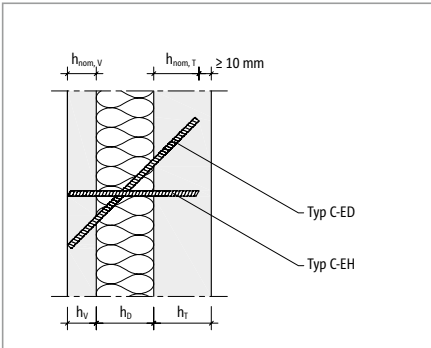


Fig. 12: Schöck Isolink® type C-EH, C-ED: Cross-section details for the sandwich wall; $h_{nom,V} = h_v$

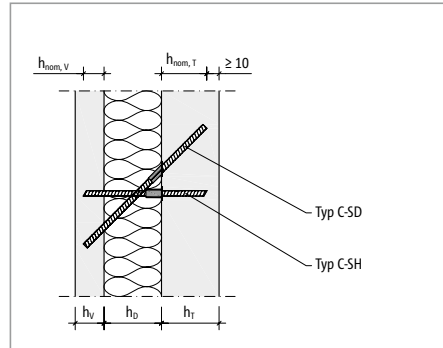


Fig. 13: Schöck Isolink® type C-SH, C-SD: Cross-section details for the sandwich wall; $h_{nom,V} < h_v$

Schöck Isolink® type	C-EH, C-SH
Bond length of the Isolink® in the concrete h_{nom} [mm]	≥ 40
Thickness of the facing shell h_v [mm]	50–200
Thickness of the thermal insulation layer h_D [mm]	60–350
Thickness of the structural layer h_T [mm]	≥ 50

Basic principles

Structural component geometry element wall

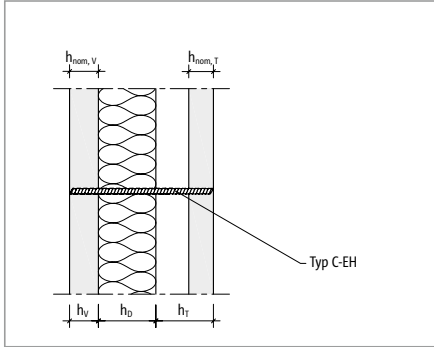


Fig. 14: Schöck Isolink® type C-EH: Cross-section details for the element wall $h_{nom,V} = h_v$

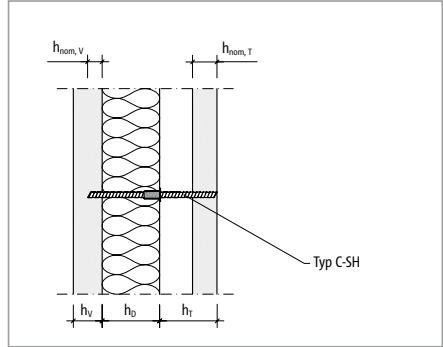


Fig. 15: Schöck Isolink® type C-SH: Cross-section details for the element wall $h_{nom,V} < h_v$

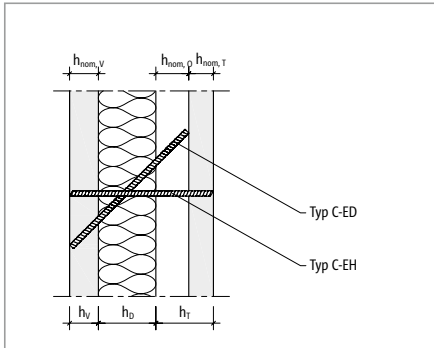


Fig. 16: Schöck Isolink® type C-EH, C-ED: Cross-section details for the element wall $h_{nom,V} = h_v$

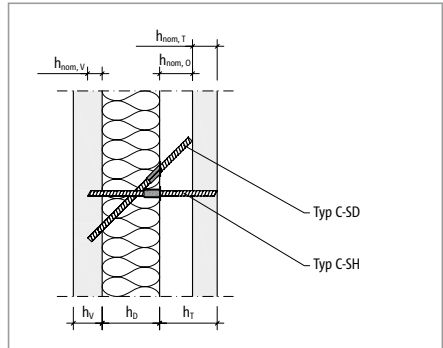


Fig. 17: Schöck Isolink® type C-SH, C-SD: Cross-section details for the element wall; $h_{nom,V} < h_v$

Schöck Isolink® type		C-EH	C-SH
Bond length of the Isolink® in the concrete h_{nom} [mm]		$\min \{h_v, 100\}$	40–100
Thickness of the cover layer h_v [mm]		60–200	
Thickness of the thermal insulation layer h_d [mm]		60–350	
Thickness of the structural layer	Overall h_t [mm]	≥ 140	
	Thickness of the in-situ concrete layer [mm]	≥ 80	
	Thickness of the precast element [mm]	≥ 60	

i Structural component geometry

- With the design of the Schöck Isolink® the allowable length in the concrete is limited to $h_{nom} \leq 100$ mm.
- Solutions for the design of the Schöck Isolink® with cover layers with the thickness $h_v > 200$ mm can be requested from the Application Engineering Dept.

Basic principles

Load case 1: Wind pressure, wind suction

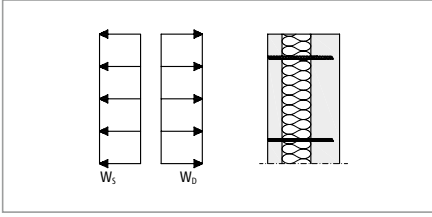


Fig. 18: Schöck Isolink® type C-EH, C-SH: Load case wind; wind suction, wind pressure

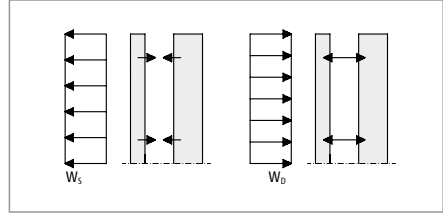


Fig. 19: Schöck Isolink® type C-EH, C-SH: Wind suction creates a tension force, wind pressure a compressive force in the Isolink®

Load case 2: Temperature gradient over the thickness of the facing shell

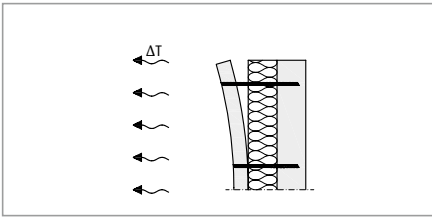


Fig. 20: Schöck Isolink® type C-EH, C-SH: Load case temperature gradient over the thickness of the cover layer

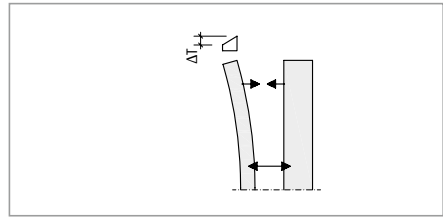


Fig. 21: Schöck Isolink® type C-EH, C-SH: Tension or compressive force, depending on the position of the Isolink®

Load case 3: Fresh concrete creates pressure, in the construction state only

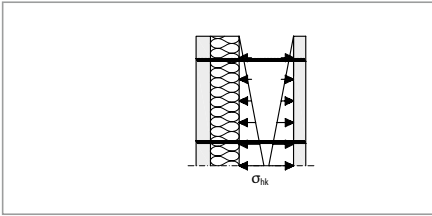


Fig. 22: Schöck Isolink® type C-EH, C-SH: Load case fresh concrete pressure; element wall in the construction state

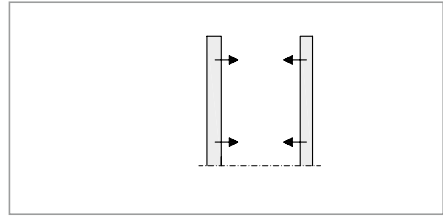


Fig. 23: Schöck Isolink® type C-EH, C-SH: Tension force in the Isolink®

Load case 4: Self-weight of the cover layer

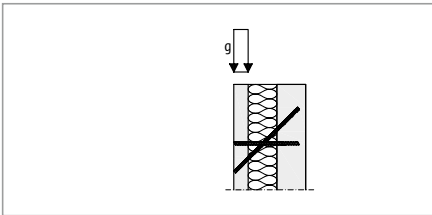


Fig. 24: Schöck Isolink® type C-EH, C-SH, C-ED, C-SD: Load case self-weight of the cover layer

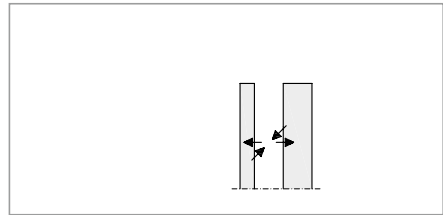


Fig. 25: Schöck Isolink® type C-EH, C-SH, C-ED, C-SD: Tension force in type C-ED and compressive force in type C-EH

Basic principles

Load case 5: Temperature difference between cover layer and structural layer (fatigue)

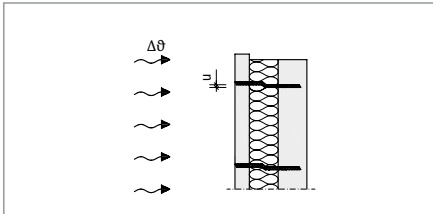


Fig. 26: Schöck Isolink® type C-EH, C-SH, C-ED, C-SD: Load case temperature difference between cover layer and structural layer

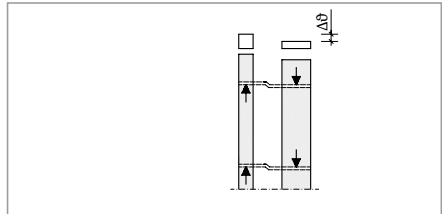


Fig. 27: Schöck Isolink® type C-EH, C-SH, C-ED, C-SD: Lateral displacement of the Isolink® through shear force load

Fatigue

Load case 5 "Temperature difference between cover layer and structural layer" is the basis for the verification of the fatigue safety of the Isolink®. This verification is effected through the maximum distance S (see table page 12).

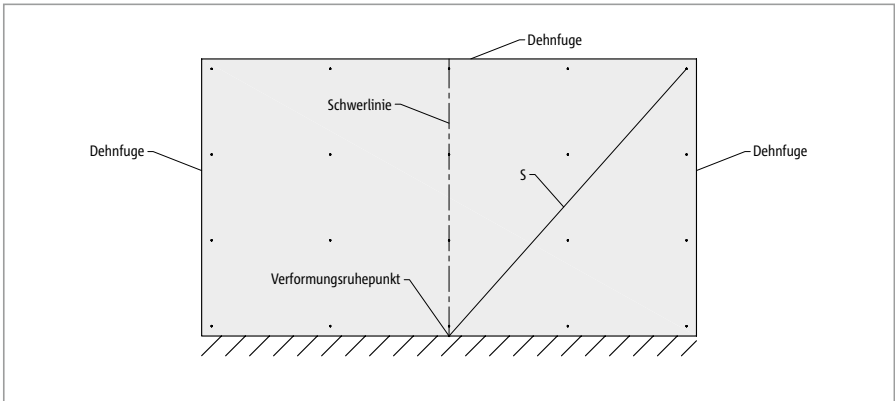


Fig. 28: Schöck Isolink®: Distance S between the deformation fix point and the outermost Isolink® type C-EH, C-SH

Basic principles

Schöck Isolink® type	C-EH, C-SH, C-ED, C-SD
Insulation thickness h_0 [mm]	max. S [mm]
60	4400
80	5900
100–350	7400

i Expansion joints

- The edges of the freely-suspended cover layer are to be constructed as expansion joints.

Required verifications

Schöck Isolink® type	C-EH, C-SH		C-EH, C-SH, C-ED, C-SD	
	Cover layer supported		Cover layer freely-suspended	
Load	Element wall	Sandwich wall	Element wall	Sandwich wall
Ultimate limit state				
Load case 1: Wind pressure, wind suction	x	x	x	x
Load case 2: Temperature gradient over the thickness of the cover layer	x	x	x	x
Load case 3: Fresh concrete pressure, in the construction state only	x		x	
Load case 4: Self-weight of the cover layer			x	x
Serviceability limit state				
Load case 5 Temperature difference between cover layer and structural layer	x	x	x	x

i Required verifications

- For the design of the Schöck Isolink® type C-EH, C-SH the maximum value from the design tables load case 1+2 or load case 3 is relevant.
- For the design of the Schöck Isolink® type C-ED, C-SD design table load case 3 is relevant.

Design

Load case 1 + 2: Wind pressure, wind suction and temperature gradient cover layer

Schöck Isolink® type			C-EH, C-SH					
Combination of Load case 1: Wind + Load case 2: $\Delta T = 5$ [K]			Concrete strength class $\geq C20/25$					
			Bond length of the Isolink® in the concrete h_{nom} [mm]					
			40	50	60	80	100	
			Quantity [piece/m ²]					
Characteristic wind load w_k [kN/m ²]	≤ 1.0	Thickness of the cover layer h_v [mm]	60	1.8	0.9	0.6	-	-
			70	4.1	1.6	0.9	-	-
			80	7.9	3.3	1.5	0.6	-
			90	10.5	5.6	2.9	0.9	-
			100	11.9	7.2	4.4	1.6	0.7
			200	10.1	7.6	6.1	4.2	3.0
	≤ 2.0		60	3.3	1.9	1.3	-	-
			70	6.1	2.9	1.7	-	-
			80	9.4	4.7	2.6	1.2	-
			90	11.7	6.7	4.0	1.7	-
			100	12.8	8.1	5.3	2.4	1.3
			200	10.7	8.1	6.5	4.5	3.3
	≤ 3.0		60	4.7	2.7	1.9	-	-
			70	7.7	4.0	2.5	-	-
			80	10.7	5.9	3.6	1.8	-
			90	12.7	7.7	4.9	2.3	-
			100	13.7	9.0	6.1	3.0	1.8
			200	11.3	8.6	6.9	4.8	3.6

Load case 3: Fresh concrete creates pressure, in the construction state only

Schöck Isolink® type		C-EH, C-SH				
Load case 3: Fresh concrete pressure		Concrete strength class $\geq C30/37$				
		Bond length of the Isolink® in the concrete h_{nom} [mm]				
		60	70	80	90	100
Maximum fresh concrete pressure $\sigma_{hk,max}$ [kN/m ²]		Quantity [piece/m ²]				
25		4.0	3.1	2.5	2.1	1.8
35		5.7	4.3	3.5	3.0	2.6

i Design Schöck Isolink® type C-EH, C-SH

- Load case 1: Characteristic wind load w_k according to details of the structural engineer
- Load case 2: $\Delta T = 5$ K according to approval No. Z-21.8-1894
- Load case 3: For the design of the Schöck Isolink® type C-EH, C-SH the maximum fresh concrete pressure according to DIN 18218 is to be calculated.
- Load case 3: Consistency classes according to DIN EN 206 and DIN 1045-2 are to be specified by the structural engineer.
- Load case 3: The concrete strength class refers to the precast parts. Taking into account the higher concrete strength class leads to an efficient design of the Schöck Isolink® type C-EH, C-SH.

Design

- Load case 3 "Fresh concrete pressure" takes into account the construction state. It occurs with the element wall only.

Load case 4: Self-weight of the cover layer

Schöck Isolink® type	C-ED, C-SD				
Load case 4: Self-weight of the cover layer	Concrete strength class \geq C20/25				
	Bond length of the Isolink® in the concrete h_{nom} [mm]				
	40	50	60	80	100
Thickness of the cover layer h_v [mm]	Quantity [piece/m ²]				
60	0.83	0.65	0.53	-	-
70	0.97	0.76	0.62	-	-
80	1.11	0.86	0.71	0.52	-
90	1.25	0.97	0.80	0.59	-
100	1.39	1.08	0.89	0.65	0.51
200	2.77	2.16	1.77	1.30	1.03

Schöck Isolink® type	C-ED, C-SD				
Load case 4: Self-weight of the cover layer	Concrete strength class \geq C30/37				
	Bond length of the Isolink® in the concrete h_{nom} [mm]				
	40	50	60	80	100
Thickness of the cover layer h_v [mm]	Quantity [piece/m ²]				
60	0.76	0.59	0.49	-	-
70	0.89	0.69	0.57	-	-
80	1.02	0.79	0.65	0.48	-
90	1.14	0.89	0.73	0.54	-
100	1.27	0.99	0.81	0.60	0.47
200	2.54	1.98	1.62	1.19	0.94

i Design Schöck Isolink® type C-ED, C-SD

- The Schöck Isolink® type C-ED, C-SD is employed according to approval No. Z-21.8-1894 in conjunction with the Isolink® type C-EH, C-SH for the load transfer with freely-suspended cover layers.
- Isolink® type C-ED, C-SD with two options of element configuration:
Configure type C-ED, C-SD side by side on the horizontal centre line of the cover layer or type C-ED, C-SD within a circle with radius S_r about the deformation fixed point
- For the anchoring of the Schöck Isolink® type C-ED, C-SD with the element wall the quality of the concrete is relevant. Therefore, here in addition, concrete strength class C20/25 is designated.

Design

Variant bending load Schöck Isolink® type C-EH, C-SH: Load case combination with freely-suspended cover layer

Sandwich wall, concrete strength class \geq C20/25:

Schöck Isolink® type			C-EH, C-SH															
Combination of Load case 1: Wind + Load case 2: $\Delta T = 5$ [K] + Load case 4: Self-weight			Concrete strength class \geq C20/25															
			Bond length of the Isolink® in the concrete h_{nom} [mm]															
			40				50				60							
			Thickness of the insulation layer h_0 [mm]															
			60	80	100	120	140	60	80	100	120	140	60	80	100	120	140	
			Quantity [piece/m ²]															
Characteristic wind load w_k [kN/m ²]	≤ 1.0	Thickness of the cover layer h_v [mm]	60	1.8	1.7	1.8	2.0	3.0	1.2	1.5	1.8	2.1	3.0	1.2	1.5	1.8	2.1	3.0
			70	4.1	3.7	3.5	3.2	3.5	1.6	1.7	2.1	2.4	3.5	1.4	1.8	2.1	2.5	3.5
			80	7.9	6.7	5.9	5.3	4.8	3.3	3.0	2.7	2.8	4.0	1.6	2.0	2.4	2.8	4.0
			90	10.5	8.7	7.5	6.6	5.9	5.6	4.8	4.2	3.8	4.5	2.9	2.6	2.7	3.2	4.5
			100	11.9	9.8	8.3	7.3	6.5	7.2	6.0	5.2	4.6	5.0	4.4	3.7	3.3	3.5	5.0
	≤ 2.0		60	3.3	3.2	3.2	3.1	3.0	1.9	1.8	1.8	2.1	3.0	1.3	1.5	1.8	2.1	3.0
			70	6.1	5.5	5.1	4.8	4.6	2.9	2.8	2.7	2.6	3.5	1.7	1.8	2.1	2.5	3.5
			80	9.4	8.1	7.2	6.6	6.0	4.7	4.3	4.0	3.7	4.0	2.6	2.5	2.4	2.8	4.0
			90	11.7	9.8	8.6	7.7	7.0	6.8	5.8	5.2	4.7	4.5	4.0	3.6	3.3	3.2	4.5
			100	12.8	10.7	9.3	8.2	7.4	8.1	6.9	6.1	5.4	5.0	5.3	4.6	4.1	3.7	5.0
	≤ 3.0		60	4.7	4.6	4.4	4.3	4.2	2.7	2.7	2.7	2.6	3.0	1.9	1.9	1.9	2.1	3.0
			70	7.6	7.0	6.5	6.1	5.8	4.0	3.8	3.7	3.6	3.5	2.5	2.5	2.4	2.5	3.5
			80	10.7	9.4	8.4	7.7	7.1	5.9	5.4	5.0	4.7	4.4	3.6	3.4	3.2	3.1	4.0
			90	12.7	10.8	9.6	8.6	7.9	7.7	6.8	6.1	5.6	5.2	4.9	4.4	4.1	3.8	4.5
			100	13.7	11.6	10.1	9.1	8.2	9.0	7.7	6.8	6.2	5.7	6.1	5.3	4.8	4.4	5.0

► Sandwich wall with freely-suspended cover layer through bending load of the Schöck Isolink® type C-EH, C-SH

- For the design of the Schöck Isolink® type C-EH, C-SH without additional Isolink® type C-ED, C-SD, the design table load case combination 1 + 2 + 4 is relevant.
- Load case 4: The static deformation through self-weight is limited to $w = 3$ mm.

Design

Variant bending load Schöck Isolink® type C-EH, C-SH: Load case combination with freely-suspended cover layer

Element wall, concrete strength class \geq C20/25:

Schöck Isolink® type			C-EH, C-SH																	
Combination of Load case 1: Wind + Load case 2: $\Delta T = 5$ [K] + Load case 4: Self-weight or Load case 3: Fresh concrete pressure			Concrete strength class \geq C20/25																	
			Bond length of the Isolink® in the concrete h_{nom} [mm]																	
			60				80				100									
			Thickness of the insulation layer h_0 [mm]																	
			60		80		100		120		140		60		80		100		120	
			Quantity [piece/m ²]																	
Characteristic wind load w_k [kN/m ²]	≤ 1.0	Thickness of the cover layer h_v [mm]	60	5.1	5.1	5.1	5.1	5.1	-	-	-	-	-	-	-	-	-	-	-	-
			70	5.1	5.1	5.1	5.1	5.1	-	-	-	-	-	-	-	-	-	-	-	-
			80	5.1	5.1	5.1	5.1	5.1	3.0	3.0	3.0	3.0	4.0	-	-	-	-	-	-	-
			90	5.1	5.1	5.1	5.1	5.1	3.0	3.0	3.0	3.3	4.5	-	-	-	-	-	-	-
			100	5.1	5.1	5.1	5.1	5.1	3.0	3.0	3.1	3.6	5.0	2.2	2.7	3.2	3.8	5.0	-	-
	≤ 2.0		60	5.1	5.1	5.1	5.1	5.1	-	-	-	-	-	-	-	-	-	-	-	-
			70	5.1	5.1	5.1	5.1	5.1	-	-	-	-	-	-	-	-	-	-	-	-
			80	5.1	5.1	5.1	5.1	5.1	3.0	3.0	3.0	3.0	4.0	-	-	-	-	-	-	-
			90	5.1	5.1	5.1	5.1	5.1	3.0	3.0	3.0	3.3	4.5	-	-	-	-	-	-	-
			100	5.3	5.1	5.1	5.1	5.1	3.0	3.0	3.1	3.6	5.0	2.2	2.7	3.2	3.8	5.0	-	-
	≤ 3.0		60	5.1	5.1	5.1	5.1	5.1	-	-	-	-	-	-	-	-	-	-	-	-
			70	5.1	5.1	5.1	5.1	5.1	-	-	-	-	-	-	-	-	-	-	-	-
			80	5.1	5.1	5.1	5.1	5.1	3.0	3.0	3.0	3.0	4.0	-	-	-	-	-	-	-
			90	5.1	5.1	5.1	5.1	5.1	3.0	3.0	3.0	3.3	4.5	-	-	-	-	-	-	-
			100	6.1	5.3	5.1	5.1	5.1	3.0	3.0	3.1	3.6	5.0	2.2	2.7	3.2	3.8	5.0	-	-

▶ Element wall with freely-suspended cover layer through bending load of the Schöck Isolink® type C-EH, C-SH

- For the design of the Schöck Isolink® type C-EH, C-SH without additional Isolink® type C-ED, C-SD the design table load case combination 1 + 2 + 4 or 3 is relevant.
- Load case 4: The static deformation through self-weight is limited to $w = 3$ mm.

Design

Variant bending load Schöck Isolink® type C-EH, C-SH: Load case combination with freely-suspended cover layer

Element wall, concrete strength class \geq C30/37:

Schöck Isolink® type			C-EH, C-SH																
Combination of Load case 1: Wind + Load case 2: $\Delta T = 5$ [K] + Load case 4: Self-weight or Load case 3: Fresh concrete pressure			Concrete strength class \geq C30/37																
			Bond length of the Isolink® in the concrete h_{nom} [mm]																
			60				80				100								
			Thickness of the insulation layer h_0 [mm]																
			60	80	100	120	140	60	80	100	120	140	60	80	100	120	140		
			Quantity [piece/m ²]																
Characteristic wind load w_k [kN/m ²]	≤ 1.0	Thickness of the cover layer h_v [mm]	60	4.0	4.0	4.0	4.0	4.0	-	-	-	-	-	-	-	-	-	-	-
			70	4.0	4.0	4.0	4.0	4.0	-	-	-	-	-	-	-	-	-	-	-
			80	4.0	4.0	4.0	4.0	4.0	2.5	2.5	2.5	2.9	4.0	-	-	-	-	-	-
			90	4.0	4.0	4.0	4.0	4.5	2.5	2.5	2.9	3.3	4.5	-	-	-	-	-	-
			100	4.1	4.0	4.0	4.0	5.0	2.5	2.7	3.2	3.7	5.0	2.3	2.8	3.3	3.8	5.0	-
	≤ 2.0		60	4.0	4.0	4.0	4.0	4.0	-	-	-	-	-	-	-	-	-	-	-
			70	4.0	4.0	4.0	4.0	4.0	-	-	-	-	-	-	-	-	-	-	-
			80	4.0	4.0	4.0	4.0	4.0	2.5	2.5	2.5	2.9	4.0	-	-	-	-	-	-
			90	4.0	4.0	4.0	4.0	4.5	2.5	2.5	2.9	3.3	4.5	-	-	-	-	-	-
			100	4.9	4.2	4.0	4.0	5.0	2.5	2.7	3.2	3.7	5.0	2.3	2.8	3.3	3.8	5.0	-
	≤ 3.0		60	4.0	4.0	4.0	4.0	4.0	-	-	-	-	-	-	-	-	-	-	-
			70	4.0	4.0	4.0	4.0	4.0	-	-	-	-	-	-	-	-	-	-	-
			80	4.0	4.0	4.0	4.0	4.0	2.5	2.5	2.5	2.9	4.0	-	-	-	-	-	-
			90	4.0	4.0	4.0	4.0	4.5	2.5	2.5	2.9	3.3	4.5	-	-	-	-	-	-
			100	5.6	4.9	4.0	4.0	5.0	2.8	2.7	3.2	3.7	5.0	2.3	2.8	3.3	3.8	5.0	-

▶ Element wall with freely-suspended cover layer through bending load of the Schöck Isolink® type C-EH, C-SH

- For the design of the Schöck Isolink® type C-EH, C-SH without additional Isolink® type C-ED, C-SD the design table load case combination 1 + 2 + 4 or 3 is relevant.
- Load case 4: The static deformation through self-weight is limited to $w = 3$ mm.

Design

Load case 5: Temperature difference between cover layer and structural layer (fatigue)

Component measurements with supported cover layer:

Schöck Isolink® type		C-EH, C-SH		
Load case 5 Temperature difference between cover layer and structural layer		Insulation thickness h_0 [mm]		
		60	80	100–350
		Max. cover layer length l [mm]		
Cover layer height h [mm]	2500	7570	10970	12000
	3000	6810	10470	12000
	3500	5780	9840	12000
	4000	4270	9050	12000
	4500	-	8060	12000
	5000	-	6770	11290
	5500	-	4950	10310
	6000	-	-	9130
	6500	-	-	6000
	7000	-	-	5540
7500	-	-	-	

Component measurements with freely-suspended cover layer:

Schöck Isolink® type		C-EH, C-SH, C-ED, C-SD		
Load case 5 Temperature difference between cover layer and structural layer		Insulation thickness h_0 [mm]		
		60	80	100–350
		Max. cover layer length l [mm]		
Cover layer height h [mm]	2500	8690	11770	12000
	3000	8540	11660	12000
	3500	8350	11520	12000
	4000	8130	11370	12000
	4500	7870	11180	12000
	5000	7570	10970	12000
	5500	7220	10740	12000
	6000	6810	10470	12000

i Component measurements

- The representation of the table values for the maximum cover layer length and cover layer height is based on the values for max. S.
- With a freely-suspended cover layer the maximum measurements for the length and height apply also reciprocally.

Design example

Element wall, supported cover layer

Geometry:	Cover layer:	$h_v = 70 \text{ mm}$
	Insulation layer:	$h_D = 140 \text{ mm}$
	Structural layer:	$h_T = 140 \text{ mm}$
	In-situ concrete layer:	$h_o = 80 \text{ mm}$
	Bond length of the Isolink® in the concrete:	$h_{nom} = 60 \text{ mm}$
	Wall area:	$A = 5 \times 3 \text{ m} = 15 \text{ m}^2$

Design loads:	Load case 1: Wind $w_K = 0.85 \text{ kN/m}^2$
	Load case 2: Temperature gradient over the thickness of the cover layer according to the approval $\Delta T = 5 \text{ K}$
	Load case 3: Fresh concrete pressure $\sigma_{fk,max} = 25 \text{ kN/m}^2$
	Load case 4: Self-weight of the cover layer not relevant
	Load case 5: Temperature difference between facing layer and structural layer according to the approval $\Delta \theta = 50 \text{ K}$

Selected: Concrete strength class C30/37 for the precast concrete units

Verifications in the ultimate limit state for the Schöck Isolink® type C-EH

Combination of the load cases 1 + 2:	Required quantity	= 0.6 piece/m ²
Load case 3:	Required quantity	= 4 piece/m ²
	See design tables page 13	

=> Relevant load case: Load case 3 (Fresh concrete pressure in the construction state)
Required quantity per cover layer: = 4 · 15 = 60 piece

Verifications in the serviceability limit state for the Schöck Isolink®

Load case 5:	Maximum measurements of the cover layer, see table page 18
	Cover layer height: 3000 mm
	Cover layer length: 5000 mm < 12000 mm
	=> Verification fulfilled

Design example

Sandwich wall, freely-suspended cover layer

Geometry:	Cover layer:	$h_v = 70 \text{ mm}$
	Insulation thickness:	$h_D = 140 \text{ mm}$
	Structural layer:	$h_T = 140 \text{ mm}$
	Bond length of the Isolink® in the concrete:	$h_{nom} = 60 \text{ mm}$
	Wall area:	$A = 5 \times 3 \text{ m} = 15 \text{ m}^2$

Design loads:	Load case 1: Wind $w_k = 0.85 \text{ kN/m}^2$
	Load case 2: Temperature gradient over the thickness of the cover layer according to the approval $\Delta T = 5 \text{ K}$
	Load case 3: Fresh concrete pressure not relevant
	Load case 4: Self-weight of the cover layer
	Load case 5: Temperature difference between cover layer and structural layer according to the approval $\Delta \theta = 50 \text{ K}$

Selected: Concrete strength class C30/37

Verifications in the ultimate limit state for the Schöck Isolink® type C-EH

Combination of the load cases 1 + 2: Required quantity = 0.9 piece/m^2
See design table page 13

Required quantity per cover layer: = $0.9 \cdot 15 = 14 \text{ piece}$

Verifications in the ultimate limit state for the Schöck Isolink® type C-ED

Load case 4: Required quantity = 0.57 piece/m^2
See design table page 14

Required quantity per cover layer: = $0.57 \cdot 15 = 9 \text{ piece}$

Verifications in the serviceability limit state for the Schöck Isolink®

Load case 5: Maximum measurements of the cover layer, see table page 18
Cover layer height: 3000 mm
Cover layer length: 5000 mm < 12000 mm
=> Verification fulfilled

Design example

Variant bending load Schöck Isolink® type C-EH: Sandwich wall, freely-suspended cover layer

Geometry:	Cover layer:	$h_v = 70 \text{ mm}$
	Insulation thickness:	$h_D = 140 \text{ mm}$
	Structural layer:	$h_T = 140 \text{ mm}$
	Bond length of the Isolink® in the concrete:	$h_{nom} = 60 \text{ mm}$
	Wall area:	$A = 5 \times 3 \text{ m} = 15 \text{ m}^2$

Design loads:	Load case 1: Wind $w_k = 0.85 \text{ kN/m}^2$
	Load case 2: Temperature gradient over the thickness of the cover layer according to the approval $\Delta T = 5 \text{ K}$
	Load case 3: Fresh concrete pressure not relevant
	Load case 4: Self-weight of the cover layer
	Load case 5: Temperature difference between cover layer and structural layer according to the approval $\Delta \theta = 50 \text{ K}$

Selected: Concrete strength class C30/37

Verifications in the ultimate limit state for the Schöck Isolink® type C-EH

Combination of load cases 1 + 2 + 4: Required quantity = 3.5 piece/m²
See design table page 15

Required quantity per cover layer: = 3.5 · 15 = 53 piece

Verifications in the serviceability limit state for the Schöck Isolink®

Load case 5: Maximum measurements of the cover layer, see table page 18
Cover layer height: 3000 mm
Cover layer length: 5000 mm < 12000 mm
=> Verification fulfilled

Building physics characterstic values

U-values of the walls using Schöck Isolink® for insulated precast concrete walls

Insulation layer thickness [mm]	Heat transmission coefficient U [W/(m ² ·K)]												
	Wall thickness [cm]												
	20	24	25	30	32	34	36	38	40	42	46	48	50
60	-	0.322	0.321	0.319	0.318	0.317	0.316	0.315	0.315	0.314	0.312	0.311	0.310
70	-	0.279	0.279	0.277	0.277	0.276	0.275	0.275	0.274	0.273	0.272	0.271	0.271
80	-	0.247	0.247	0.245	0.245	0.244	0.244	0.243	0.243	0.242	0.241	0.241	0.240
90	-	-	0.221	0.220	0.219	0.219	0.219	0.218	0.218	0.217	0.216	0.216	0.216
100	-	-	-	0.199	0.199	0.198	0.198	0.198	0.197	0.197	0.196	0.196	0.196
110	-	-	-	0.182	0.182	0.181	0.181	0.181	0.181	0.180	0.180	0.179	0.179
120	-	-	-	0.168	0.167	0.167	0.167	0.167	0.166	0.166	0.166	0.165	0.165
130	-	-	-	0.155	0.155	0.155	0.155	0.155	0.154	0.154	0.154	0.154	0.153
140	-	-	-	0.145	0.145	0.144	0.144	0.144	0.144	0.144	0.143	0.143	0.143
150	-	-	-	-	0.135	0.135	0.135	0.135	0.135	0.135	0.134	0.134	0.134
160	-	-	-	-	0.127	0.127	0.127	0.127	0.127	0.127	0.126	0.126	0.126
170	-	-	-	-	-	0.120	0.120	0.120	0.120	0.119	0.119	0.119	0.119
180	-	-	-	-	-	0.113	0.113	0.113	0.113	0.113	0.113	0.113	0.113
190	-	-	-	-	-	-	0.108	0.108	0.107	0.107	0.107	0.107	0.107
200	-	-	-	-	-	-	0.102	0.102	0.102	0.102	0.102	0.102	0.102
210	-	-	-	-	-	-	-	0.098	0.098	0.097	0.097	0.097	0.097
220	-	-	-	-	-	-	-	0.093	0.093	0.093	0.093	0.093	0.093
230	-	-	-	-	-	-	-	-	0.089	0.089	0.089	0.089	0.089
240	-	-	-	-	-	-	-	-	0.086	0.086	0.086	0.085	0.085
250	-	-	-	-	-	-	-	-	-	0.082	0.082	0.082	0.082
260	-	-	-	-	-	-	-	-	-	0.079	0.079	0.079	0.079
270	-	-	-	-	-	-	-	-	-	-	0.076	0.076	0.076
280	-	-	-	-	-	-	-	-	-	-	0.074	0.074	0.074
290	-	-	-	-	-	-	-	-	-	-	0.071	0.071	0.071
300	-	-	-	-	-	-	-	-	-	-	0.069	0.069	0.069
310	-	-	-	-	-	-	-	-	-	-	-	0.067	0.067
320	-	-	-	-	-	-	-	-	-	-	-	0.065	0.065
330	-	-	-	-	-	-	-	-	-	-	-	-	0.063
340	-	-	-	-	-	-	-	-	-	-	-	-	0.061
350	-	-	-	-	-	-	-	-	-	-	-	-	-

- The table applies for sandwich and element walls using Schöck Isolink®.
- This table is based on using $\lambda=0.021$ W/(m·K) insulation.
- The thickness of the cover layer is specified as 60 mm.

Imprint

Published by: Schöck Bauteile GmbH
Vimbucher Straße 2
76534 Baden-Baden
Telephone: +49 7223 967-0

Copyright: © 2021, Schöck Bauteile GmbH
The contents of this publication must not be passed on to third parties, neither in full nor in part, without the written authorisation of Schöck Bauteile GmbH. All technical details, drawings etc. are protected by copyright laws.

Subject to technical changes
Date of publication: January 2021



Schöck Bauteile GmbH
Vimbucher Straße 2
76534 Baden-Baden
Telephone: +49 7223 967-144
Fax: +49 7223 967-7634
export@schoeck.com
www.schoeck.com

**Telephone hotline for
design support services**
Telephone: +49 7223 967-634
Fax: +49 7223 967-470
export-de@schoeck.com

**Request and Download of
Planning Aids**
Telephone: +49 7223 967-435
Fax: +49 7223 967-454
schoeck-de@schoeck.com
www.schoeck.com