



Institut für Brandschutztechnik
und Sicherheitsforschung

CLASSIFICATION OF FIRE RESISTANCE

IN ACCORDANCE WITH EN 13501-2:2016

Product name: **Load-bearing slab with a cantilevered balcony slab
connected to an Isokorb® T Typ KL-M6-V1-CV1-H160**

Classification report No.: 315062423-A-en,Rev2

Datum: 12/10/2020

This edition replaces the edition Nr.: 315062423-A-en,Rev1 of September 19, 2017

Engineer: Roland BECK / AM

DW: 885

SPONSOR:

Schöck Bauteile Ges.m.b.H

Thaliastraße 85/2/4

A-1160 Wien

PREPARED BY:

IBS - Institut für Brandschutztechnik

und Sicherheitsforschung GmbH

Petzoldstraße 45, 4020 Linz

NOTIFIED BODY NO:

1322

This classification report consists of **4** pages and may only be used or reproduced in its entirety.



1. Introduction

This classification report defines the resistance to fire classification assigned to the element „Load-bearing slab with a cantilevered balcony slab connected to an **Isokorb® T Typ KL-M6-V1-CV1-H160**“ in accordance with the procedures given in EN 13501-2:2016.

2. Details of classified product

2.1. General

The element „Load-bearing slab with a cantilevered balcony slab connected to an **Isokorb® T Typ KL-M6-V1-CV1-H160**“ is defined as a load-bearing thermal insulation element for cantilevered slabs.

2.2. Description

The element „Load-bearing slab with a cantilevered balcony slab connected to an **Isokorb® T Typ KL-M6-V1-CV1-H160**“ is fully described in the test report in support of classification listed 3.1.

3. Test report and test results in support of the classification

3.1. Test report

Details of test reports are listed below:

Name of laboratory	Name of sponsor	Report rev. no	Test standard and date	Product name
IBS Linz	Schöck Bauteile Ges.m.b.H.	315062423-1	1365-2: 2016	Load-bearing slab with a cantilevered balcony slab connected to an Isokorb® T Typ KL-M6-V1-CV1-H160

¹ Name/address and Notified body number of the testing centres (in alphabetical order):

- IBS: IBS - Institut für Brandschutztechnik und Sicherheitsforschung GmbH, Petzoldstraße 45, A-4020 Linz; Notified body number: 1322

3.2. Results

Report no test method test date test duration	Parameter	Results
315062423-1 EN 1365-2 03.02.2016 65 minutes	Applied load	13,5 kN
	Supporting structure	No supporting structure – the specimen was leaned directly on the furnace
	Loadbearing capacity	No failure
	Size of the test specimen	1280 x 1000 (L x W)

4. Classification and field of application

4.1. Reverence of classification

This classification has been carried out in accordance with Clause 7 of EN 13501-2:2016.

4.2. Classification

The element „Load-bearing slab with a cantilevered balcony slab connected to an **Isokorb® T Typ KL-M6-V1-CV1-H160**“ is classified according to the following combinations of performance parameters and classes as appropriate.

R	R 15	R 20	R 30	R 45	R 60
---	------	------	------	------	------

4.3. Field of application

This classification is valid for the following end use applications:

Referenced standard for item:	Permissible change vis-a-vis the tested design with evaluations and amendments on account of the test results
13.	The test results can be transferred directly to similar untested ceiling or roof constructions on condition that the following apply with regard to the load-bearing structural element:
13.a.	The maximum bending moment and shear forces calculated on the same basis as was derived from the test burden may not exceed the tested values.



5. Limitations

This classification document does not represent type approval or certification of the product.

**IBS-INSTITUT FÜR BRANDSCHUTZTECHNIK UND
SICHERHEITSFORSCHUNG GESELLSCHAFT M.B.H.
Akkreditierte Prüf-, Inspektions- und Zertifizierungsstelle**

Mr. Roland BECK
Technician

Ing. Josef STOCKINGER
Monitoring

Information on multiple electronic signatures on documents can be found [here!](#)

Change notice:

Rev2: The name of the specimen has changed.



NATIONAL APPENDIX FOR AUSTRIA

ASSESSMENT OF AVAILABILITY

Certificate of usability No.: VWN-315062423-A-en,Rev2
Date of classification: 12.10.2020
Sponsor: **Schöck Bauteile GmbH**
Product type: load-bearing thermal insulation element for cantilevered slabs
Product name: Load-bearing slab with a cantilevered balcony slab connected to an **Isokorb® T Typ KL-M6-V1-CV1-H160**
Date of Certificate of usability: 12.10.2020

General:

This national appendix for Austria is only applicable to be used together with the main part of this dokument „Classification Report No. 315062423-A-en,Rev2 from 12.10.2020.

A. Reference of classification and assessment

This national annex has been prepared in accordance with EN 13501-2:2016, Section 7, and the testing experience of the testing laboratory and defines the acceptable variations of the „Load-bearing slab with a cantilevered balcony slab connected to an **Isokorb® T Typ KL-M6-V1-CV1-H160**“ for use in Austria.

Additional Test- and Classification basics:

ÖNORM EN 1363-1:
„Fire resistance tests – Part 1: General requirement“
Edition: 2020-04-15

ÖNORM EN 1365, Teil 2:
„Fire resistance tests for loadbearing elements – Part 2: Floors and roofs“
Edition: 2014-12-15

ÖNORM EN 1366, Teil 4:
„Fire resistance tests for service instalations – Part 4: Linear joint seals“
Edition: 2010-07-01

OIB-095.1-015/15
Ordinance of the Austrian Institute for Structural Engineering (OIB) on the building material list ÖA (recast 2015)



For the element „Load-bearing slab with a cantilevered balcony slab connected to an **Isokorb® T Typ KL-M6-V1-CV1-H160**“ the test institute stated in the above classification report was commissioned by the system manufacturer „Schöck Bauteile Ges.m.b.H“ die dokumentierten **Feuerwiderstandsprüfungen** to carry out the documented fire resistance tests according to the EN standards.

The individual test results were documented in the test report. The test results were assessed considering the performance criteria defined in EN 1365-2, considering the direct application and the testing experience of the laboratory. The acceptable design deviations were fixed and these acceptable design variants are documented in the appendix.

B. National classification for Austria

The parameters and combinations of variants listed in the appendix (execution catalog) can be evaluated as equivalent in terms of usability as a result of the classification given in the present report. This document also confirms the suitability according to the above mentioned national test and classification bases.

C. National field of application

The minimum product height and thus the smallest slab thickness with 160 mm were Tested - higher product heights and thus higher slab thicknesses are also acceptable.

The smallest tested bar diameter was 8mm or the combination of 8-6.5-8 - larger diameters or combinations of thicker diameters are also allowed.

A whole element with a length of one meter was tested – pieces of e.g. 4.5 pieces are allowed in a 4.6 m balcony.

A straight one-piece connection (the most frequent variant) was tested, the following variants are also acceptable (see supplement).



D. Limitations of the national Annex

The "National Annex" is valid until **11th October 2026** or until the end of the coexistence period of the applicable harmonized product standard.

This classification report / assessment of availability does not constitute a type approval or a certification of the product.

This classification report / assessment of availability does not constitute a general proof of suitability for use.

Only valid with the main document "Classification Report No. 315062423-A-en,Rev2.

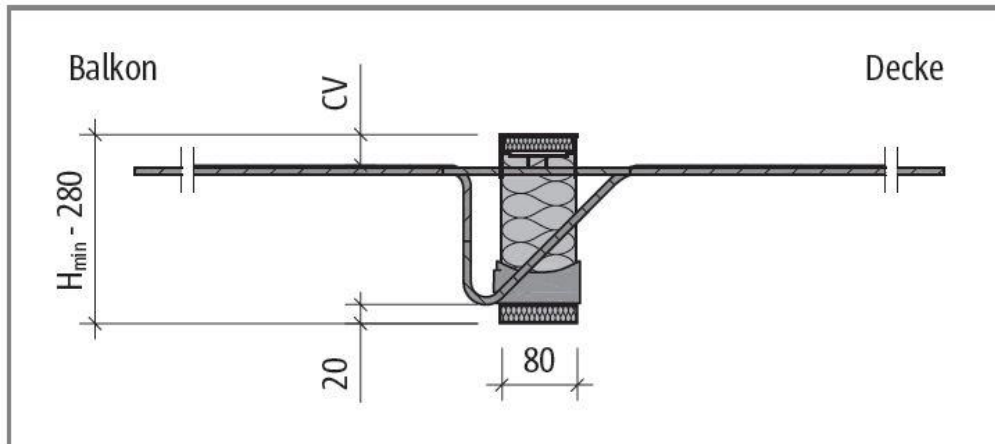
Change notice:

Rev1 Design variants have been corrected

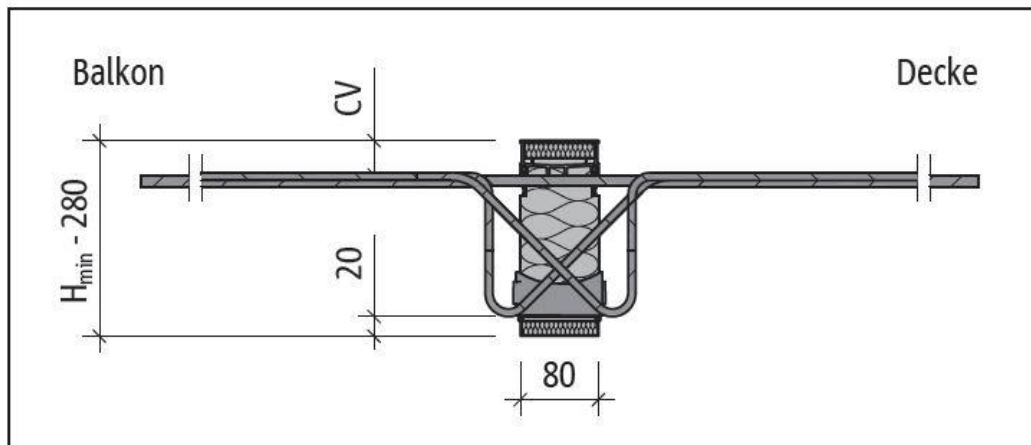
Rev2: The name of the specimen has changed. Design variants have been corrected

Design variants:

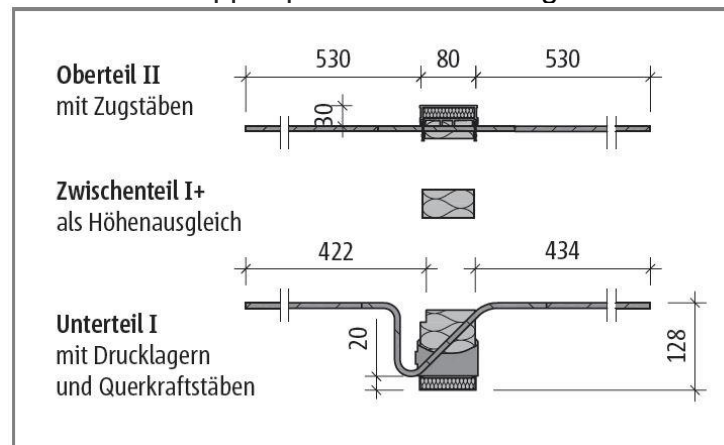
Typ KL: Tested variant



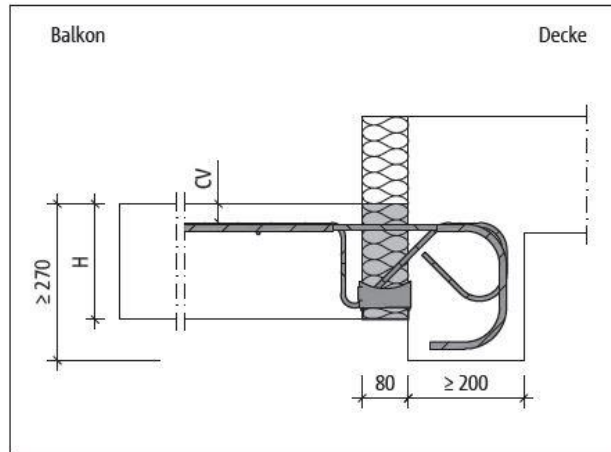
Typ KL-VV: With transverse force rods in both directions



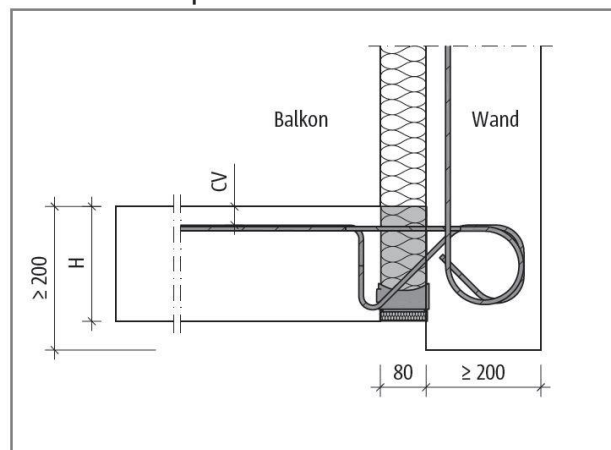
Typ KL-F: Two-part variant, lower part is installed in the ceiling and will be connected with concrete together with the upper part on the building site



Typ KL-O: Connection to a beam



Typ KL-WO: Connection to a wall upwards



Typ KL-WU: Connection to a wall downwards

